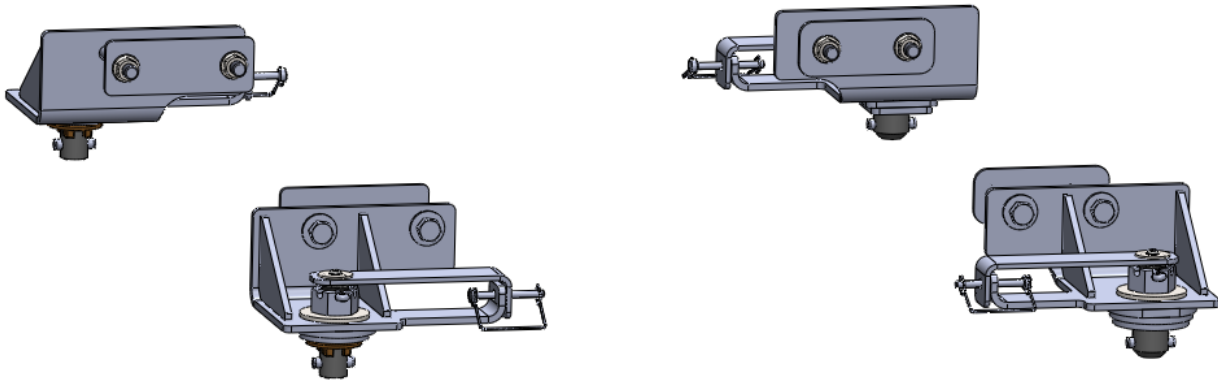




DODGE RAM #4450 OE Puck Mounting Bracket Kit for SuperGlide #2300



Gross Trailer Weight (Maximum) 24,000 lbs.
Vertical Load Weight (Max. Pin Weight)6,000 lbs.

SYSTEM TOW CAPACITY

Please note, in order to determine the total tow capacity of a system, you must consider the weight ratings of each component in that system. This includes, but may not be limited to, the capacity/rating of the tow vehicle, the fifth wheel hitch, and the hitch's mounting system. Actual tow capacity of the system will be equal to the lowest rated component.

Installation Instructions

SPECIFICATIONS

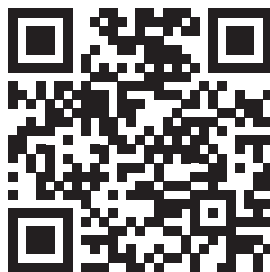
- Fits 2013-2019 Ram trucks with the OE 5th wheel hitch puck system
 - Attaches to Superglide model #2300
- Custom Mounting Bracket Kit (Bracket & Hardware) #4450

TABLE OF CONTENTS

MOUNTING KIT EXPLODED VIEW / MOUNTING KIT PARTS LIST.....	3
ATTACHING KIT TO HITCH.....	4
BUILDING THE MOUNTING POST ASSEMBLY.....	5
INSTALLING HITCH INTO THE TRUCK BED.....	6-7

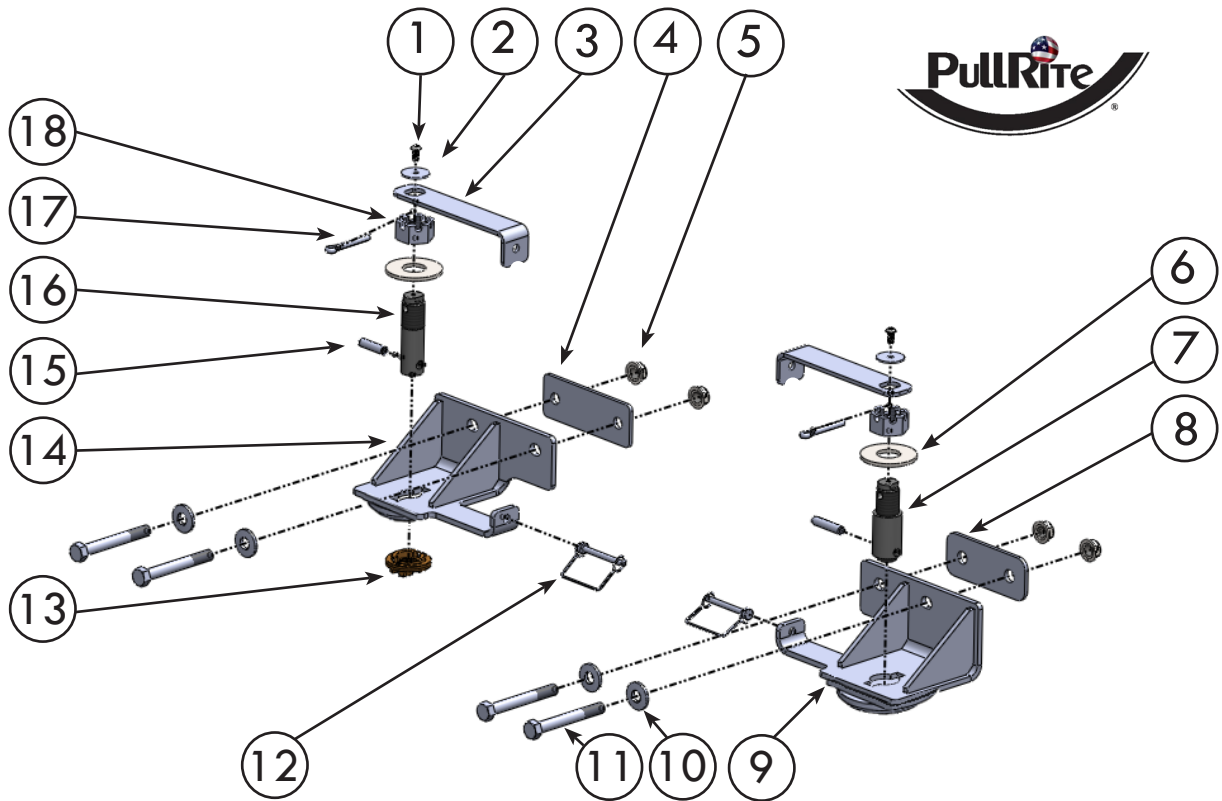


WATCH PULLRITE PRODUCT VIDEOS
ON OUR YOUTUBE CHANNEL HERE.



<https://www.youtube.com/channel/UC-1CsmPfzi1Vuhh0eQBjxJw>

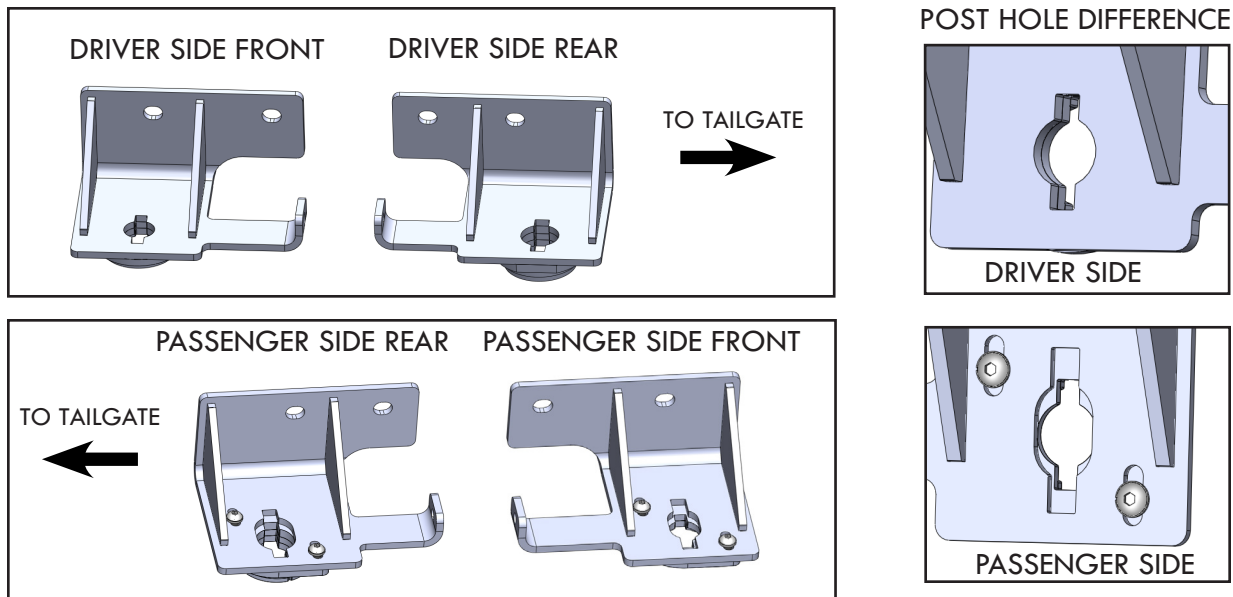
PARTS LISTING FOR KIT



NO.	DESCRIPTION	PART #	WITH KIT
1	BUTTON HEAD CAP SCREW 1/4-20 X 1/2 "	98410241	4
2	LOCK HANDLE WASHER	98250150	4
3	LOCK HANDLE	44500601	4
4	FRONT BACKING PLATE	44490105	2
5	SERRATED FLANGE NUT 1/2"-13	98150201	4
6	FLAT WASHER 1"	98250100	4
7	REAR FOOT POST	44500901	2
8	REAR BACKING PLATE	44480107	2
9	REAR DRIVER SIDE BRACKET	445003	1
*	REAR PASSENGER SIDE BRACKET (not pictured)	445004	1
10	CONICAL SERRATED WASHER 1/2"	98200172	8
11	HEX HEAD BOLT 1/2"-13 X 4"	98010191	8
12	BAIL PIN	98410529	4
13	BRASS PUCK WASHER	13070001	2
14	DRIVER SIDE FRONT BRACKET	445001	1
*	PASSENGER SIDE FRONT BRACKET (not pictured)	445002	1
15	SLOTTED SPRING PIN 3/8" X 1 1/2"	98410524	4
16	FRONT FOOT POST	44480701	2
17	COTTER PIN 1/4" X 2"	98410567	4
18	CASTLE NUT 1"-14	98150121	4
*	PASSENGER SIDE BRACKET ADJUSTMENT SCREWS (not pictured)	98010242	4
*	PASSENGER SIDE BRACKET LOCK WASHER (not pictured)	98200158	4

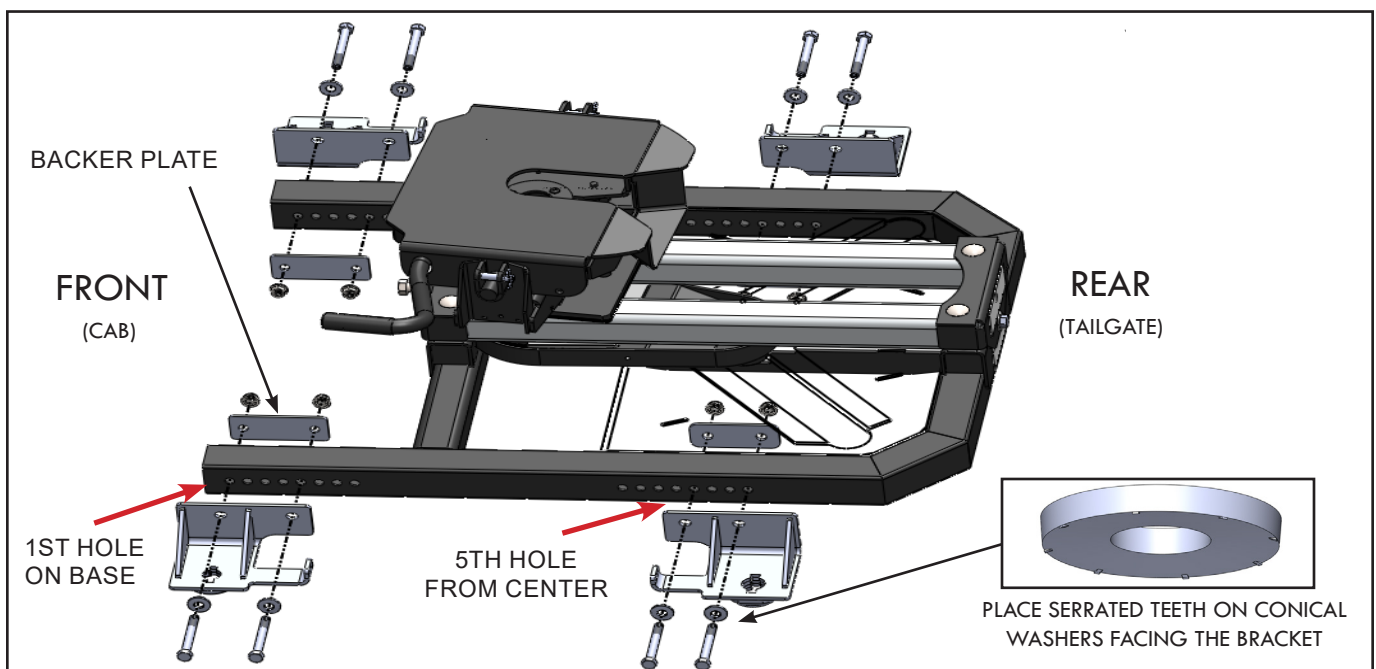
ATTACHING KIT TO HITCH

Be aware that all of the brackets are different. Note that the passenger side post holes feature two adjustment screws, also the 1/2" bolt holes are wider apart on both driver & passenger front brackets



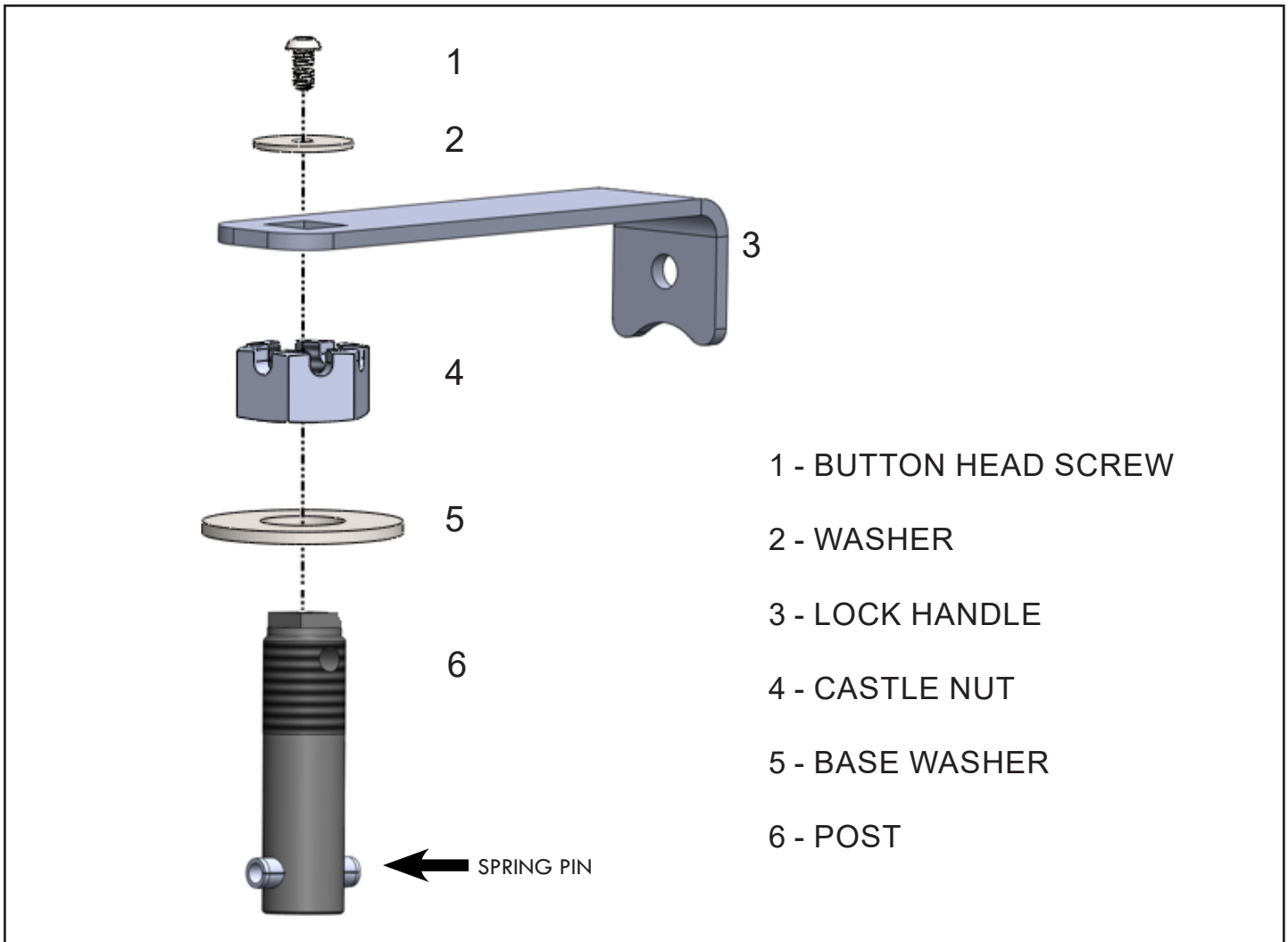
1. Place the brackets on the #2300 SuperGlide base with Backer Plates and attach each using (2) 1/2-13 X 4 Hex bolts, (2) 1/2"-13 serrated flange nuts, and (2) Conical serrated washers (place serrated teeth facing the bracket). Attach the Driver Side Front Bracket starting at the first hole on the SuperGlide base (See Below). Then attach the Driver Side Rear Bracket starting at the fifth hole from the center of the SuperGlide base. Repeat when attaching the Passenger Side brackets

2. Hand tighten all hex bolts at this point. Keep them a little loose for an easier Install.



BUILDING THE MOUNTING POST ASSEMBLY

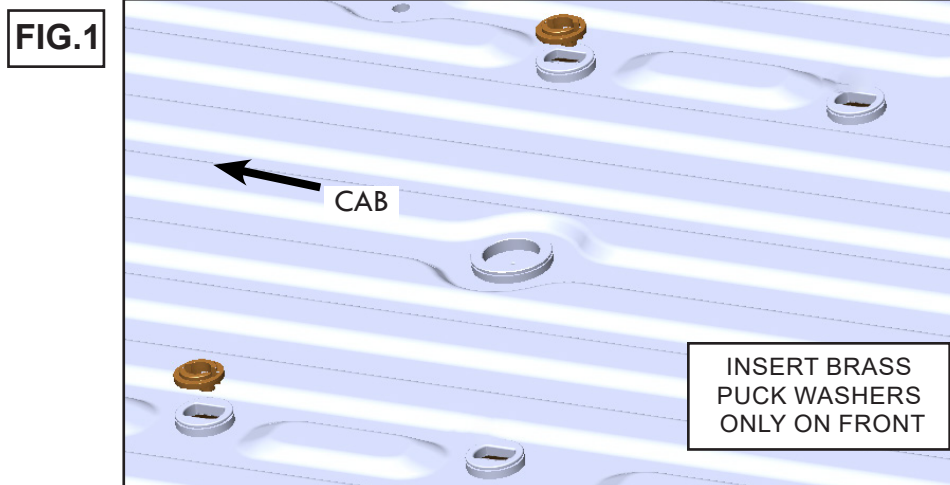
Build the (2) Front and (2) Rear mounting post assemblies, used for clamping hitch to the bed of the truck.



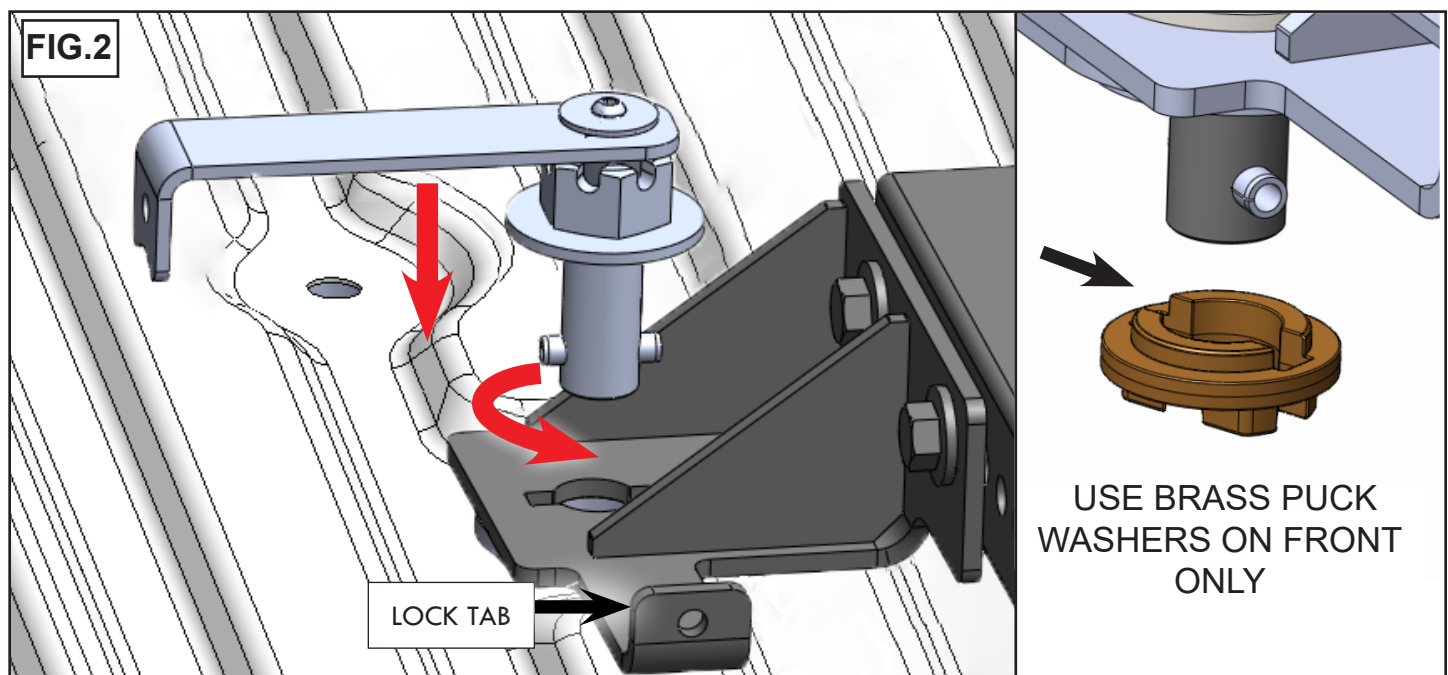
NOTE: THE FRONT POSTS ARE SMALLER IN DIAMETER COMPARED TO THE REAR POSTS

1. Place the Base Washer down on the Post.
2. Thread Castle Nut onto the Post.
3. Align the Lock Handle with the direction of the Spring Pin as shown above and place on top of the Post, the handle cut-out fits down over square top on Post.
4. Add the Washer and Button Head Screw and tighten with a 3/16 hex key.

INSTALLING THE HITCH



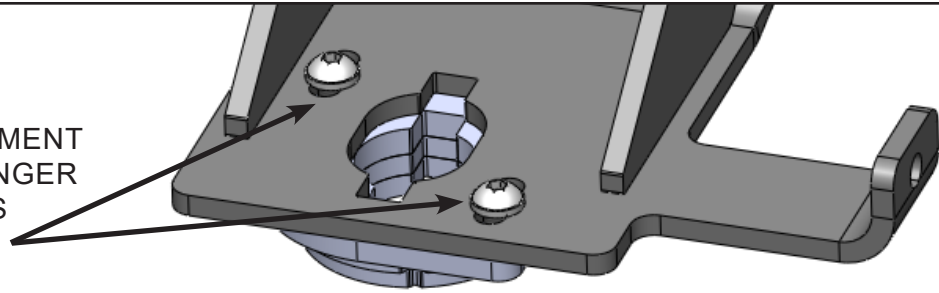
1. Place the (2) Brass Puck Washers in the front side pucks on truck bed (FIG.1). They should easily fit into the puck. In some instances, it may be necessary to lightly file the Brass Puck Washers to get them to fit as puck tolerances may vary.
2. Place the hitch over the Brass Puck Washers and rear pucks. They should all be visible through the post holes on brackets. Line up the driver side front puck first and take one Front Mounting Post assembly (smaller diameter post) and drop it into the puck as shown (FIG.2). Press down and turn 90 degrees inward to the Lock Tab. It should be tight enough to take some force by hand to lock it in place. If it is loose, tighten the Castle Nut on the Post Assembly a few turns and re-insert Post Assembly and lock it into the puck.
3. Next, move the rear of the hitch until it falls in alignment with driver side rear puck if it isn't already. You should be able to insert the Rear Mounting Post assembly (larger diameter post) and lock it in the puck.



INSTALLING THE HITCH

FIG.3

POST HOLE ADJUSTMENT
SCREWS ON PASSENGER
SIDE BRACKETS



4. Repeat step 2 on the Passenger Side Post assemblies. If the post holes are off-center on the Passenger Side Brackets, adjust the plate on the brackets with the two Bracket Adjustment Screws and tighten (FIG.3).
5. At this point with the all of the Mounting Post assemblies in the pucks, tighten all 1/2"-13 X 4" Bracket Hex Bolts to 75 foot pounds.
6. Feed each Cotter Pin through the Castle Nut and pre-drilled hole on the Posts (FIG.4). Bend ends of cotter pin to prevent it from sliding out. This will prevent the Mounting Post assemblies from loosening.
7. With Lock Handles aligned with the holes in the Lock Tabs (FIG.5), place Bail Pins through each hole. Snap the loop over the Bail Pin to lock.

FIG.4

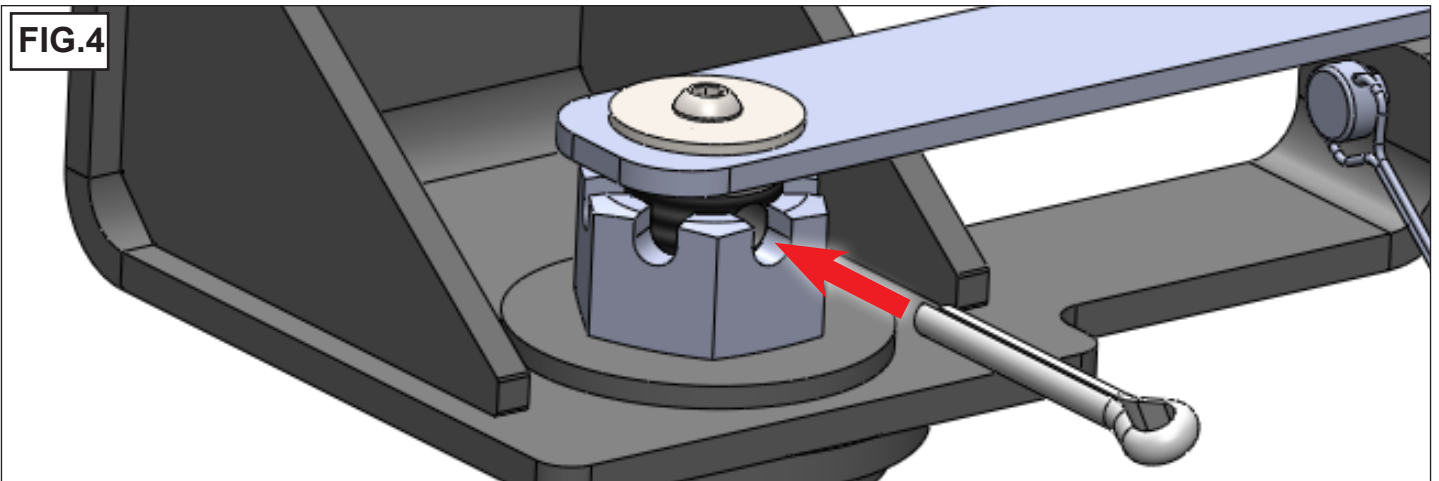
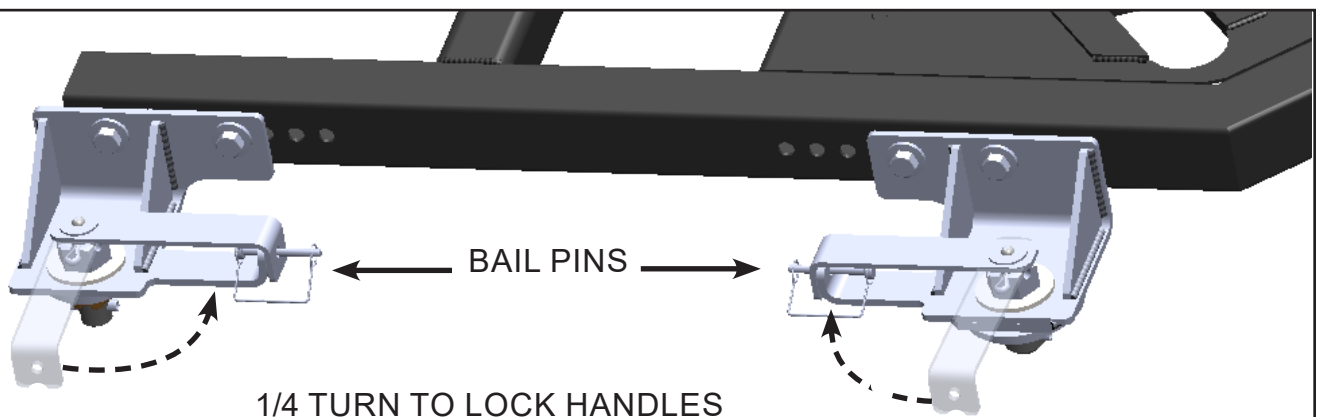


FIG.5





Manufactured by

PULLIAM ENTERPRISES, INC.
13790 East Jefferson Blvd. Mishawaka, IN 46545
(800) 443-2307
www.pullrite.com