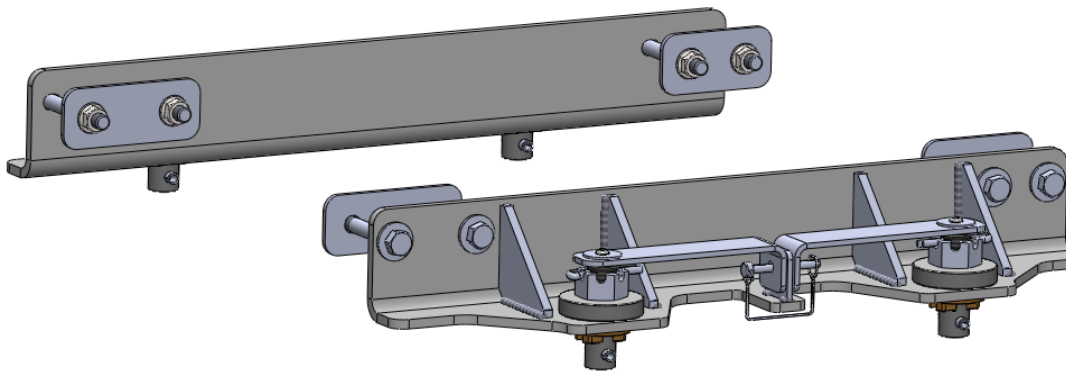




FORD 20K SuperGlide OE Hitch Kit #4448



Gross Trailer Weight (Maximum) 20,000 lbs.
Vertical Load Weight (Max. Pin Weight)5,000 lbs.

SYSTEM TOW CAPACITY

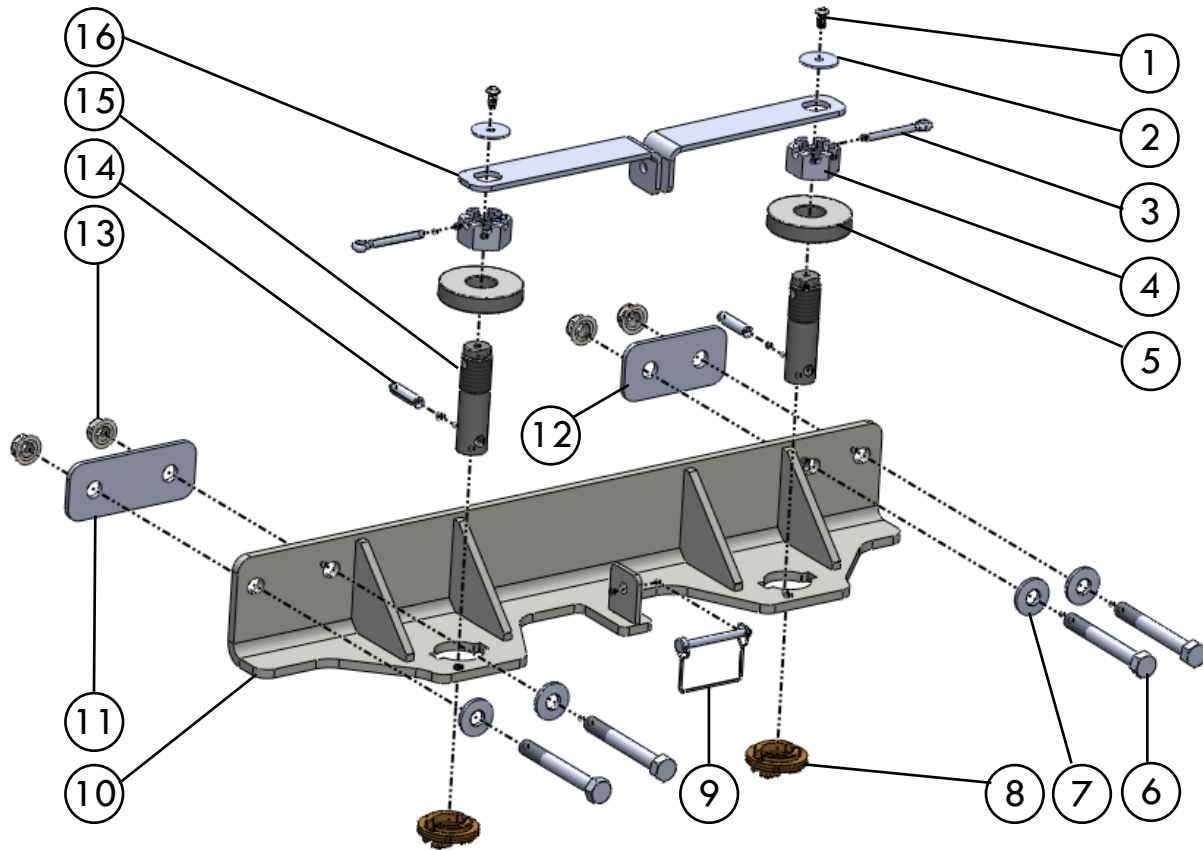
Please note, in order to determine the total tow capacity of a system, you must consider the weight ratings of each component in that system. This includes, but may not be limited to, the capacity/rating of the tow vehicle, the fifth wheel hitch, and the hitch's mounting system. Actual tow capacity of the system will be equal to the lowest rated component.

Installation Instructions

SPECIFICATIONS

- Fits 2010-2019 Ford trucks with the OE puck system
- Attaches to Superglide models #2700 and #2900
- Custom Mounting Bracket Kit (Bracket & Hardware) #4448

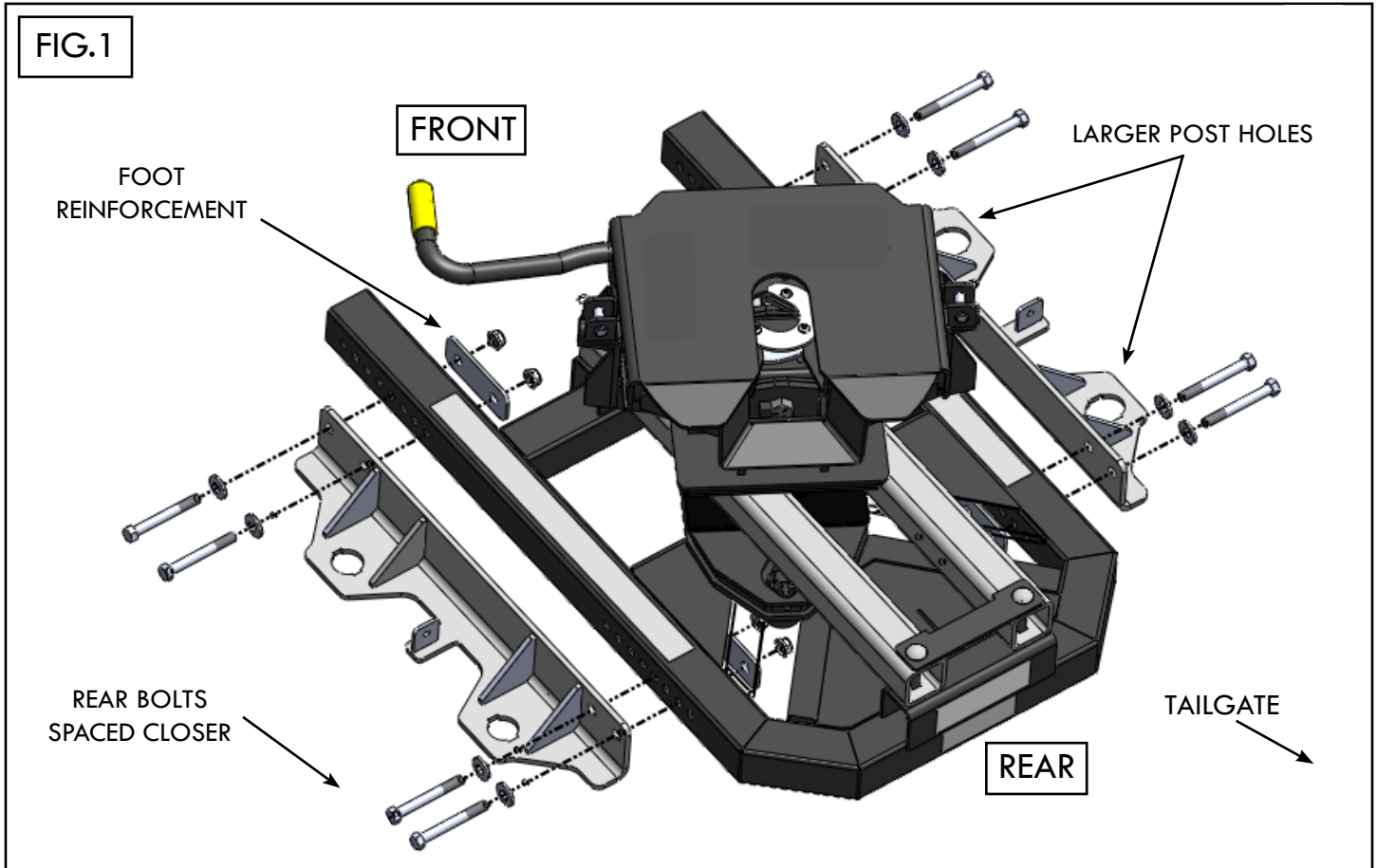
#4448 KIT PARTS LIST



NUMBER	DESCRIPTION	PART NUMBER
1	BUTTON SOCKET CAP SCREW 1/4"-20 X 1/2"	98410242
2	HANDLE FLAT WASHER	44480603
3	COTTER PIN 1/4" X 2"	98410567
4	SLOTTED NUT 1"-14	98150121
5	BASE WASHER	13070101
6	HEX BOLT 1/2"-13 X 4"	98010191
7	CONICAL SERRATED WASHER 1/2 " ID X 1 1/4" OD	98200172
8	MOUNTING WASHER	13070001
9	BAIL PIN	98410529
10	DRIVER SIDE FOOT BRACKET	444801
*	PASSENGER SIDE FOOT BRACKET (OPPOSITE SIDE, NOT PICTURED)	444802
11	FRONT FOOT REINFORCEMENT	44480107
12	REAR FOOT REINFORCEMENT	44480106
13	SERRATED FLANGE NUT 1/2"-13	98150201
14	SLOTTED SPRING PIN 3/8" X 1 3/4"	98410524
15	OE FOOT POST	44480701
16	LOCK HANDLE	44480602

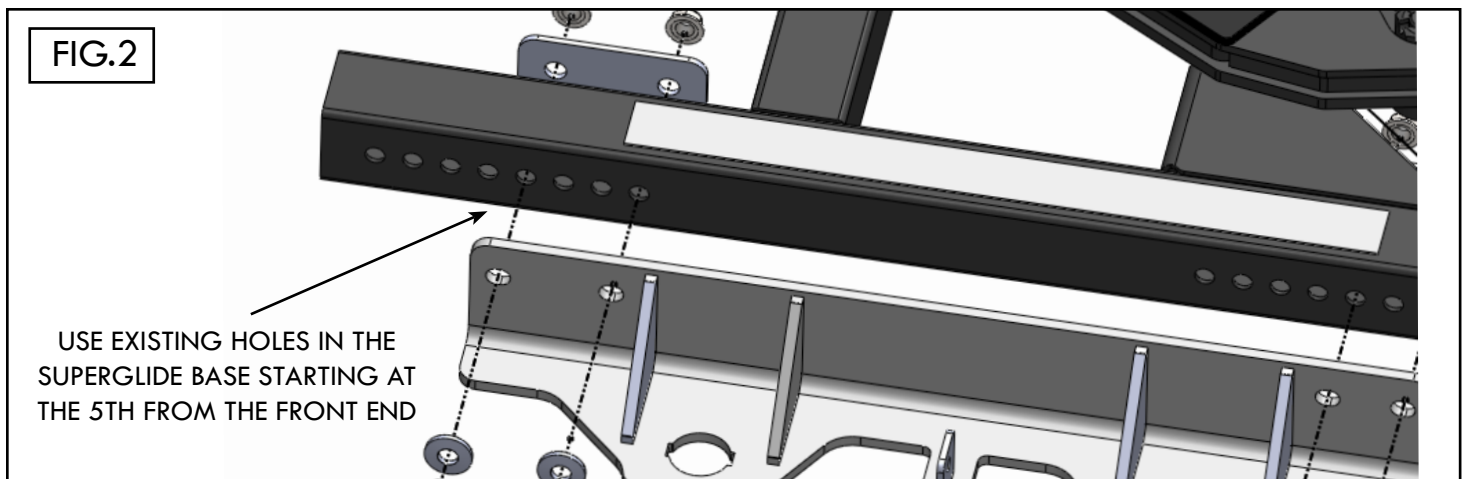
ATTACHING KIT TO HITCH BASE

Note: The brackets are different and only work when properly installed on the base. Notice the spacing is closer for the mounting bolts on the rear of both brackets (Fig.1) and post hole openings are larger on the passenger side.



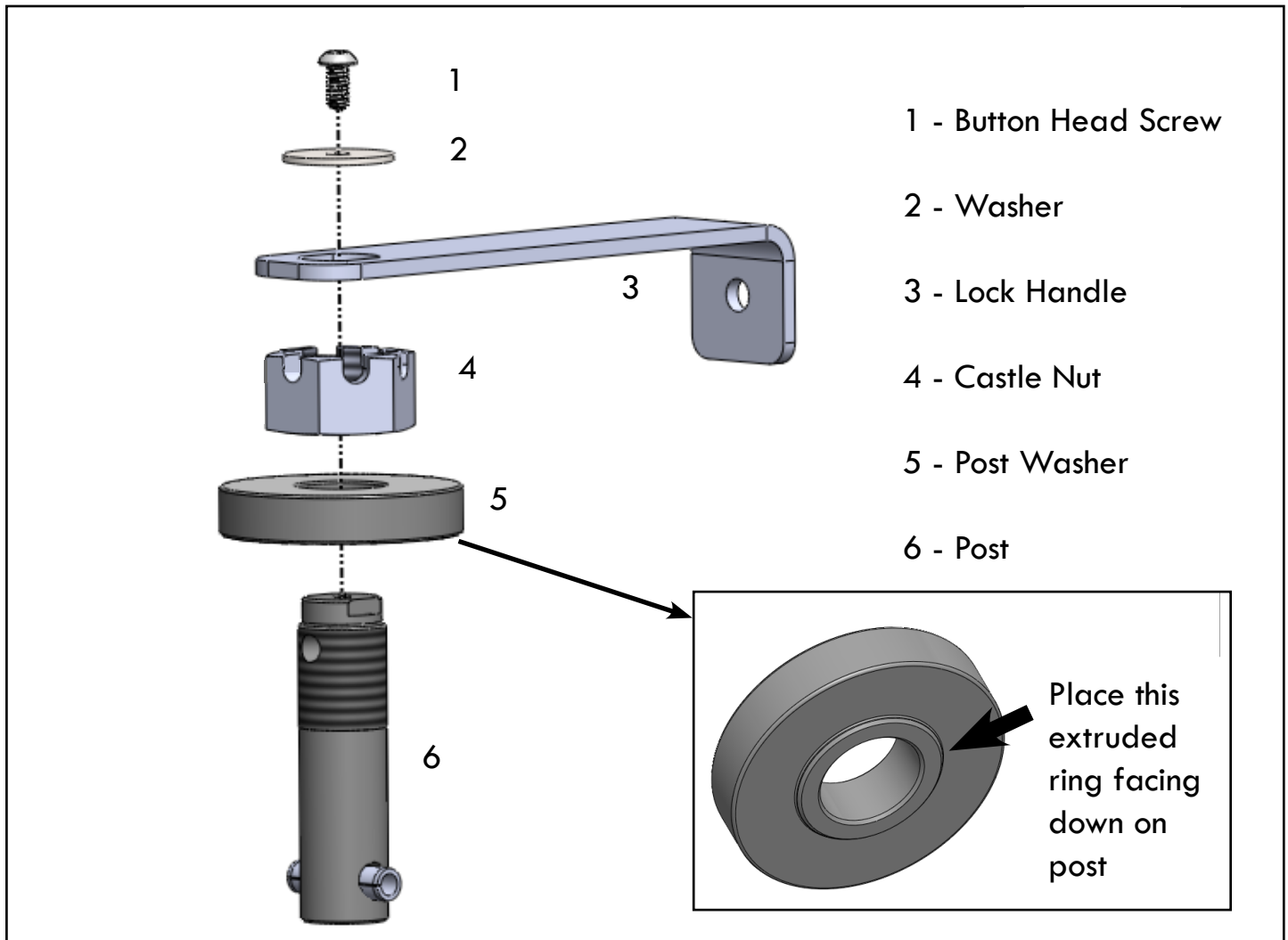
1. Place the kit brackets on the #2700 or #2900 SuperGlide base with foot reinforcement backings and attach each using (4) 1/2-13 X 4 Hex bolts, (4) Conical serrated washers, and (4) 1/2"-13 serrated flange nuts. Place brackets starting at the 5th hole from the front end on The Super Glide base (Fig.2).

2. Hand tighten all hex bolts at this step..



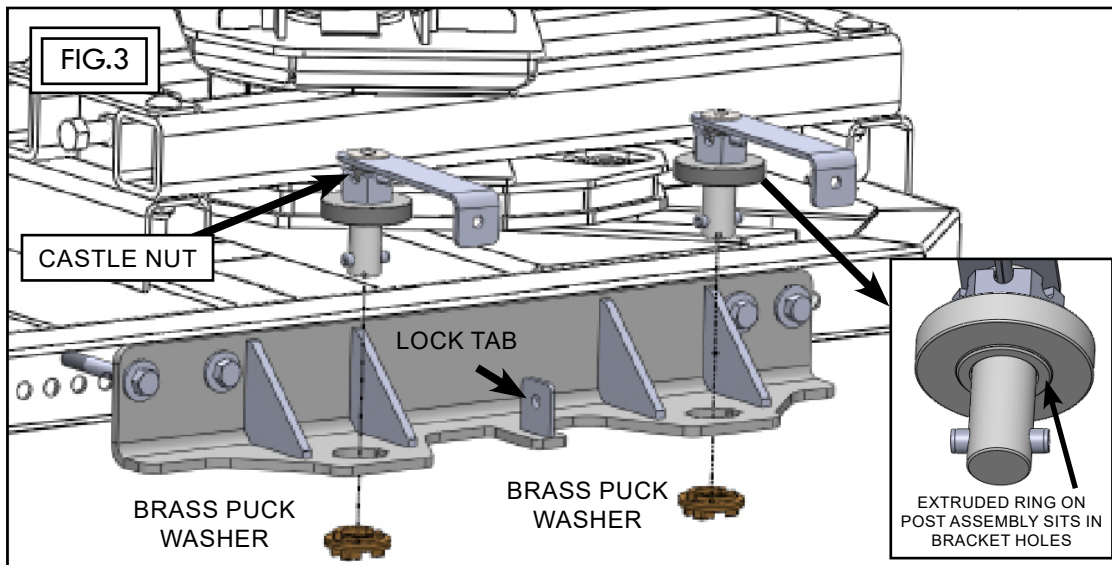
BUILDING THE POST ASSEMBLY

Build the (4) post assemblies used for clamping hitch and kit to the bed of the truck.



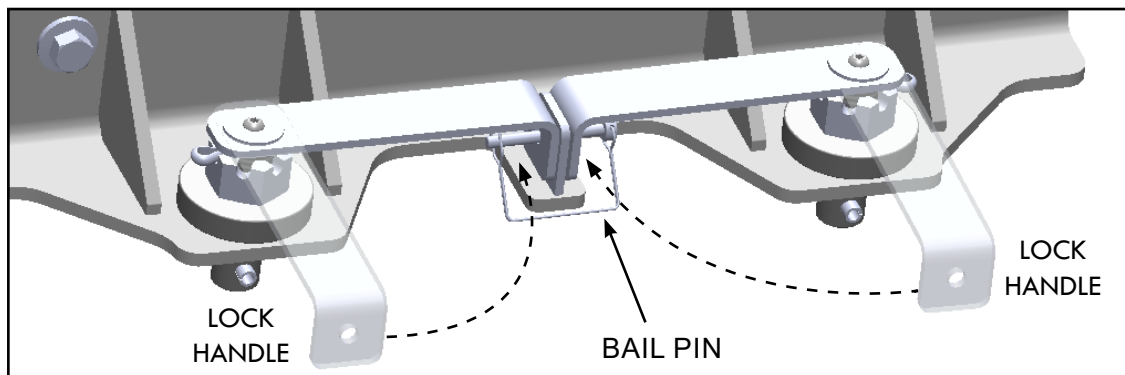
1. Place the Post Washer with its extruded ring facing downward on the Post.
2. Thread Castle Nut onto the Post
3. Take the Lock Handle and place on top of the Post as shown. The handle cut-out fits down over square top on Post. Add the Washer and Button Head Screw and tighten with an allen wrench.

SEATING HITCH AND KIT IN TRUCK BED



1. Place the (4) Brass Puck Washer in the OE puck holes on truck bed (FIG.3). They should easily fit into the puck. In some instances, It may be necessary to lightly file the Brass Puck Washers to get them to fit as puck hole tolerances may vary.
2. Place hitch on the seated Brass Puck Washers.
3. Starting with the driver side, take a Post Assembly and insert into the Brass Puck Washer in an open position as shown (FIG.3). Press and turn 90 degrees inward to the Lock Tab. At this point, tighten the Castle Nut on the Post Assembly just a few turns until it is firm. Feed the Cotter Pin through the Castle Nut and hole in post thread and bend ends to lock. Repeat this step with the other Post Assemblies.
4. Quarter turn the Lock Handles inward until holes are aligned with the Lock Tab (FIG.4).
5. Place the Bail Pins through holes in Lock Tabs and Lock Handles, and snap bail pin to lock.
6. Tighten all 1/2"-13 X 4" hex bolts to 75 foot pounds.

FIG.4





Manufactured by PULLIAM ENTERPRISES, INC. 13790 East Jefferson Blvd. Mishawaka, IN 46545
(800) 443-2307 - www.pullrite.com