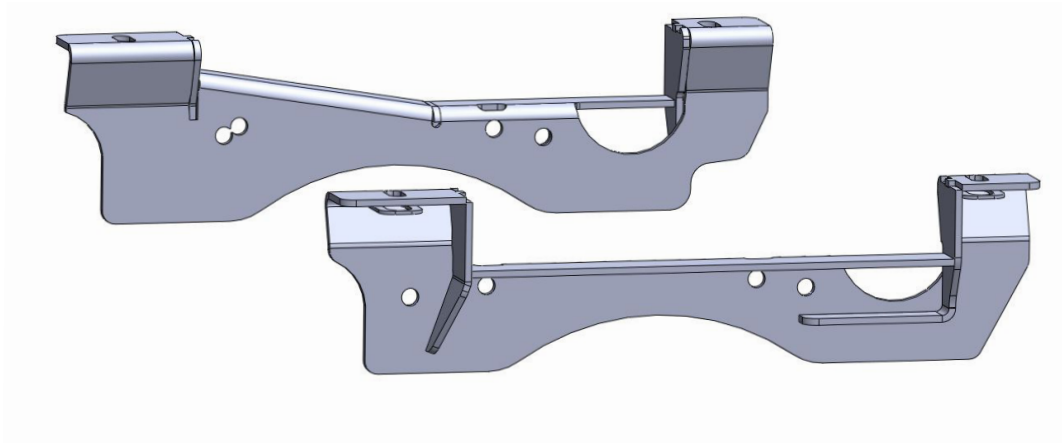




FORD

20K Industry Standard Rail Custom Mounting Kit

#2774



Gross Trailer Weight (Maximum).....20,000 lbs.
Vertical Load Weight (Max. Pin Weight).....5,000 lbs.

SYSTEM TOW CAPACITY

Please note, in order to determine the **total tow capacity** of a system, you must consider the weight ratings of each component in that system. This includes, but may not be limited to, the capacity/rating of the **tow vehicle**, the **fifth wheel hitch**, and the hitch's **mounting system**. Actual tow capacity of the system will be equal to the lowest rated component.

Installation Instructions

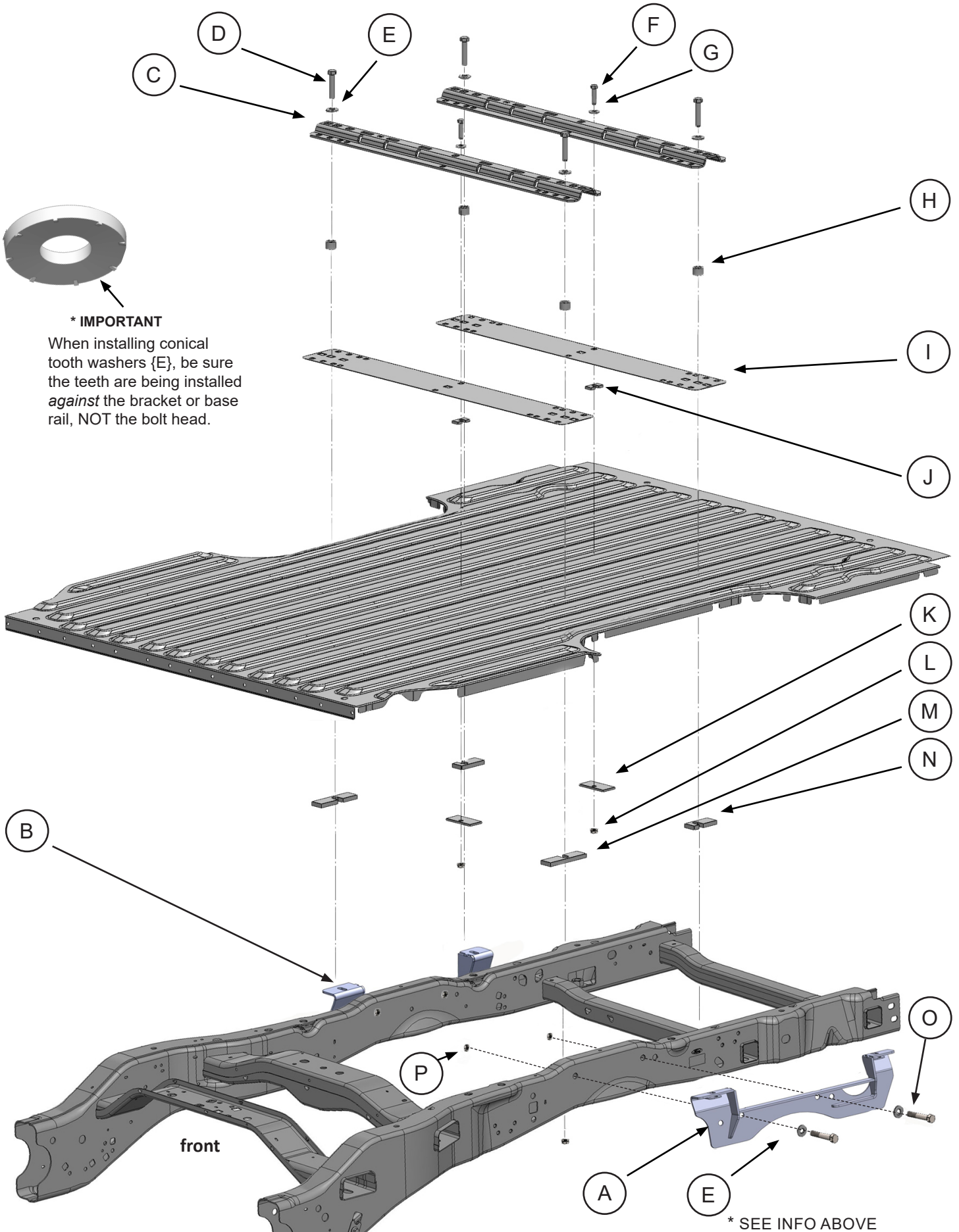
SPECIFICATIONS

- Fits 2017 to current Ford F250 & F350 SuperDuty
 - Hitch is located center of the axle
 - NO DRILL APPLICATION
- Custom Mounting Bracket Kit (*Bracket & Hardware*) #2775

TABLE OF CONTENTS

MOUNTING KIT EXPLODED VIEW.....	3
MOUNTING KIT PARTS LIST.....	4
TRUCK PREPARATION.....	5
MARKING THE TRUCK BED FOR DRILLING.....	5
LAYOUT METHOD.....	5
TEMPLATE METHOD.....	6
INSTALLATION.....	7
PART 1 — BRACKET PLACEMENT & BED HOLE LOCATIONS.....	7
2017-2023 PREVIOUS FRAME STYLE FITTING.....	8
PART 2 — BRACKET INSTALLATION.....	9
PART 3 — SHIMMING THE BED.....	9
PART 4 — FINAL INSTALLATION PROCEDURES.....	9

#2774 MOUNTING KIT EXPLODED VIEW



* SEE INFO ABOVE

MOUNTING KIT PARTS LIST

#2774 FORD CUSTOM ISR BRACKET KIT

description	part no.	qty	material
MOUNTING BRACKET KIT	2775	1	(See kit contents listed below)
BASE RAIL KIT	2719	1	(See kit contents listed below)

#2775— MOUNTING BRACKET KIT

item	description	part no.	qty.	material
A	DRIVER SIDE MOUNTING BRACKET	277501	1	
B	PASSENGER SIDE MOUNTING BRACKET	277502	1	
I	BASE RAIL PLASTIC SPACER	27610003	2	
	MOUNTING BRACKET HARDWARE KIT	276703	1	(See kit contents listed below)
	BASE RAIL HARDWARE KIT	276603	1	(See kit contents listed below)

#276703 — MOUNTING BRACKET HARDWARE KIT

item	description	part no.	qty.	material
E	5/8" CONICAL WASHER	98200171	4	5/8" EXT. TOOTH CONICAL WASHER GRD 5
O	5/8" BRACKET BOLT	98010216	4	5/8"-11 X 3-1/2" HHCS GRD 5
P	5/8" FLANGE NUT	98150200	4	5/8"-11 SERRATED FLANGE NUT

#276603 — BASE RAIL HARDWARE KIT

item	description	part no.	qty.	material
D	5/8" BASE RAIL BOLT	98010217	4	5/8"-11 X 3" HHCS GRD 5
E	5/8" CONICAL WASHER <small>(SEE NOTE OPPOSITE)</small>	98200171	4	5/8" SERRATED CONICAL WASHER GRD 5
F	1/2" CENTER BASE RAIL BOLT	98010175	2	1/2"-13 X 2" HHCS GRD 5
G	1/2" CONICAL WASHER	98200172	2	1/2" SERRATED CONICAL WASHER GRD 5
H	BASE RAIL SPACER TUBE	27210204	4	
J	SINGLE SLOTTED PLASTIC BED SHIM	27670118	2	3/8" LEXAN BED CHANNEL SUPPORT SHIM
K	OFFSET HOLE BACKUP PLATE	05070303	2	1/2" BED SUPPORT BACKUP PLATE - MODIFIED
L	1/2" FLANGE NUT	98150201	4	1/2"-13 SERRATED FLANGE NUT
M	LARGE BED ISOLATOR SHIM	27670116	2	1/2" LARGE SHIM FOR 2766
N	SMALL BED ISOLATOR SHIM	27670117	2	1/2" SMALL SHIM FOR 2766
P	5/8" FLANGE NUT	98150200	4	5/8"-11 SERRATED FLANGE NUT

#2719 — BASE RAIL KIT

item	description	part no.	qty.	material
C	BASE RAILS	27190001	2	

LAYOUT TEMPLATE

description	part no.	qty.	material
LAYOUT BED TEMPLATE	27200000	1	ITEM SOLD SEPARATELY

TRUCK PREPARATION

1. Block vehicle wheels. Some vehicles may require you to raise the rear of the truck to install the mounting brackets on the truck frame.
2. You may wish to remove the wheels to give yourself greater working room.

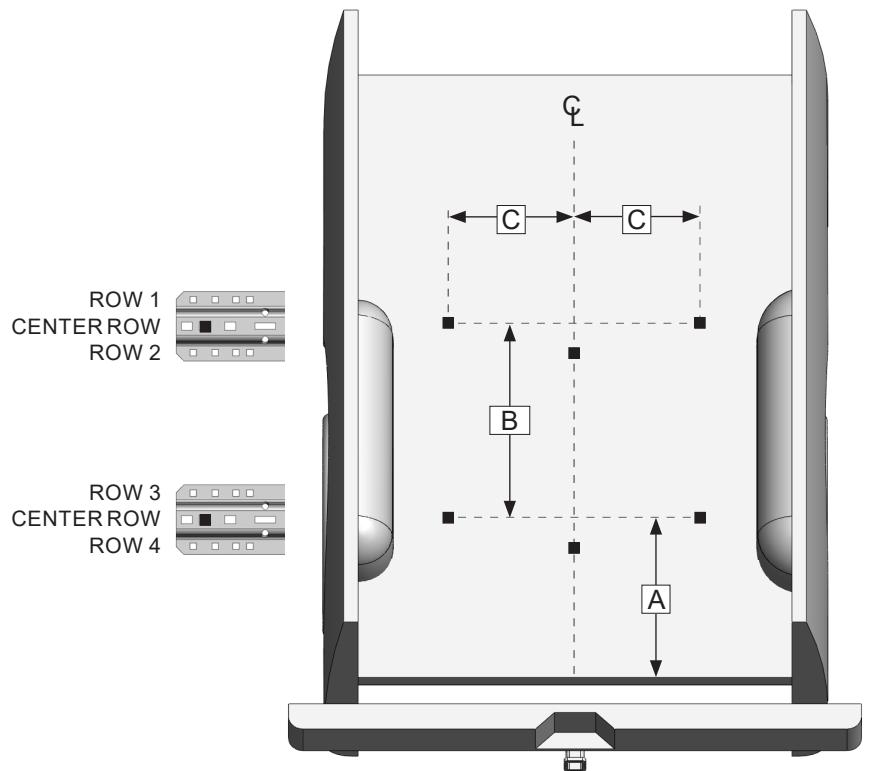
MARKING THE TRUCK BED FOR DRILLING

LAYOUT METHOD

If you purchased an installation template, please proceed to "TEMPLATE METHOD".

Templates are sold separately.

1. Referencing "Truck Bed Dimension Table" and the illustration to the right, measure and mark from the back of the bed forward, the value for "A." Do this at any point on *both* sides of the bed and draw a line across the bed from mark to mark.
2. Find the centerline of the bed.
3. Draw a line down the middle of the bed from front-to-rear.
4. The intersection of "A" and the centerline of the bed is the center hole location of bolts on the center row of the base rail. Starting at this intersection, measure the distance of "C" in both directions to find the remaining bolt hole locations.
5. Continue working toward the cab, marking the distance "B" as the distance between both center rows of the base rails.

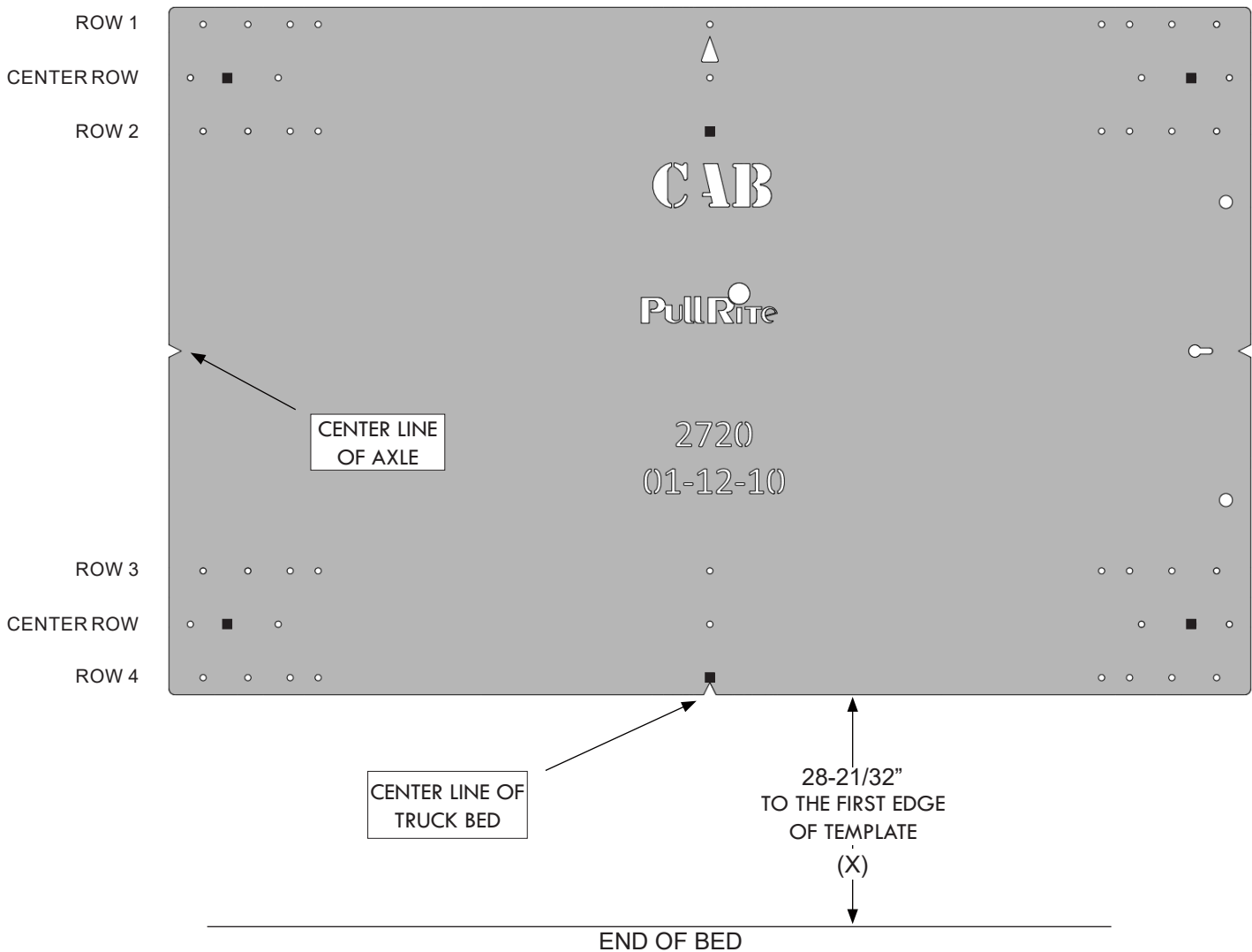


TRUCK BED DIMENSION TABLE				
LAYOUT METHOD			TEMPLATE METHOD	
"A"	"B"	"C"	"X"	TEMPLATE PART#
31-1/2"	22"	19-7/16"	28-21/32"	27200000

TEMPLATE METHOD

1. Lay the template in the truck bed, centering it from side-to-side, and parallel to the end of the truck bed using the dimension "X" listed in "Truck Bed Dimension Table."
2. Mark the 6 holes, while making sure the template does not move.

INSTALLATION TIPS: The *TEMPLATE* should be orientated as shown in the drawing below. To avoid drilling holes in error from out of tolerance bed-to-frame dimensions, mark the hole locations as lightly as possible if a center or transfer punch is used. Then use a very small diameter drill bit to drill one location on either side of bed. Place the Mounting Brackets against the frame to determine the correctness of the bed hole locations relative to the pre-punched holes in the Mounting Bracket and existing frame holes. Adjust the template pattern relative to the end of the bed, as necessary, to move the bed holes nearer the center of the mounting bracket holes. Note also, the information etched into the template — the direction of the cab, the template number and the revision date. As one last measure, the template has a tendency to move when placed on the slick paint of new truck beds, and it may be helpful to place a small piece of NON-SKID matting, such as "SCOOT-GARD"™ or simply use duct tape on each corner to help keep the template from moving.



INSTALLATION

PART 1 — BRACKET PLACEMENT & BED HOLE LOCATIONS

Since most truck beds are not installed square to the frame or are the same distance from the back of the cab, the installer will need to make sure the bed holes line up properly with the center of each mounting bolt hole.

The basic steps in this section are as follows:

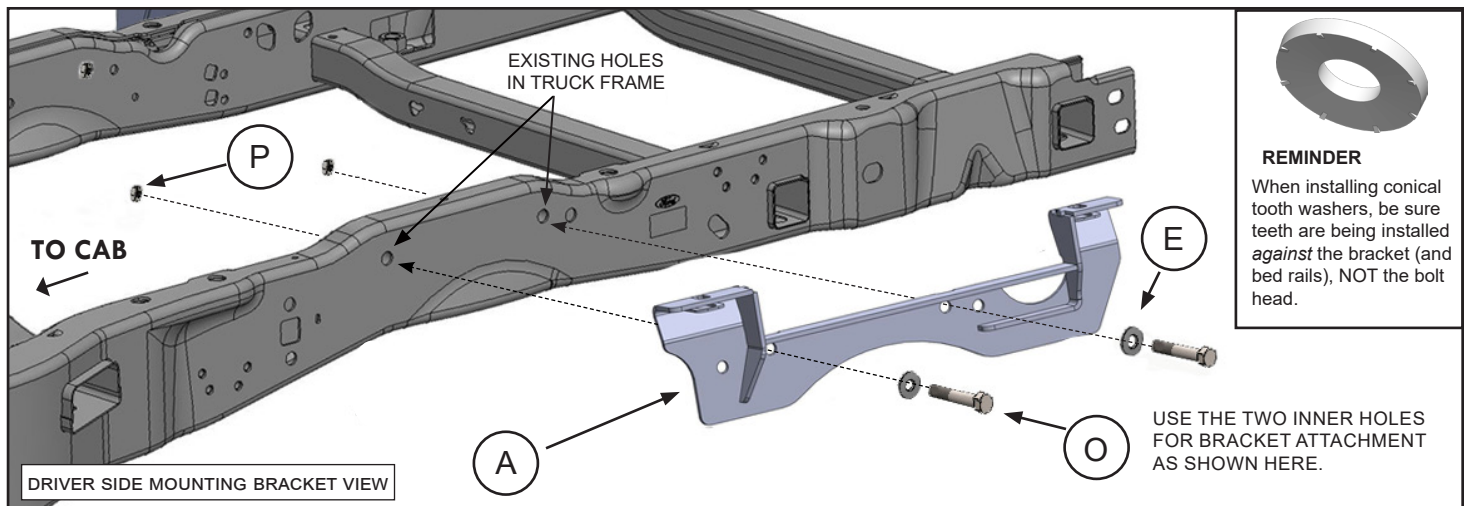
- Layout the bed holes.
- Drill the first pilot hole in the bed.
- Check centering.
- Adjust the bed hole layout if necessary.
- Drill the second pilot hole and check centering to ensure bed hole locations are square to the frame; adjust as needed.
- Drill remaining pilot holes in the bed; check centering.

Detailed Installation Instructions

1. This is a no-drill installation, both brackets will use existing holes in the frame drilled by the manufacturer (note drawings for existing holes and fastening methods below and on the following page).
2. Position the Driver Side Mounting Bracket on the frame and clamp or fasten in place to determine if your bed layout marks are square to the frame, making sure the bracket is tight against the frame (some mounting brackets may have a slight warp due to the metal characteristics during the welding process).
3. Drill the first 1/16" pilot hole through the truck bed over the rear hole of the Driver Side Mounting Bracket where you made the mark during the "Marking Bed for Drilling."
4. Keep the drill bit in the pilot hole and check for centering front-to-back in the slotted bolt holes of the bracket (see below).
5. Repeat Steps 3 and 4 for the front hole of the mounting bracket.
6. Repeat Steps 2-4 for the Passenger Side Mounting Bracket.

NOTE: Some truck beds are not installed square on their frame by the manufacturer. To ensure your pilot holes are aligned properly, it is important that you use the measurements provided only as a starting point and make adjustments as needed. Once the rear driver side pilot hole is centered, you will use this hole as a point of reference for all remaining pilot hole adjustments. If you are using the Template Method, simply use the properly drilled hole as a pivot point to square the remaining holes to the frame. If you are using the Layout Method, you may accomplish the same thing by using a framing square and straight edge.

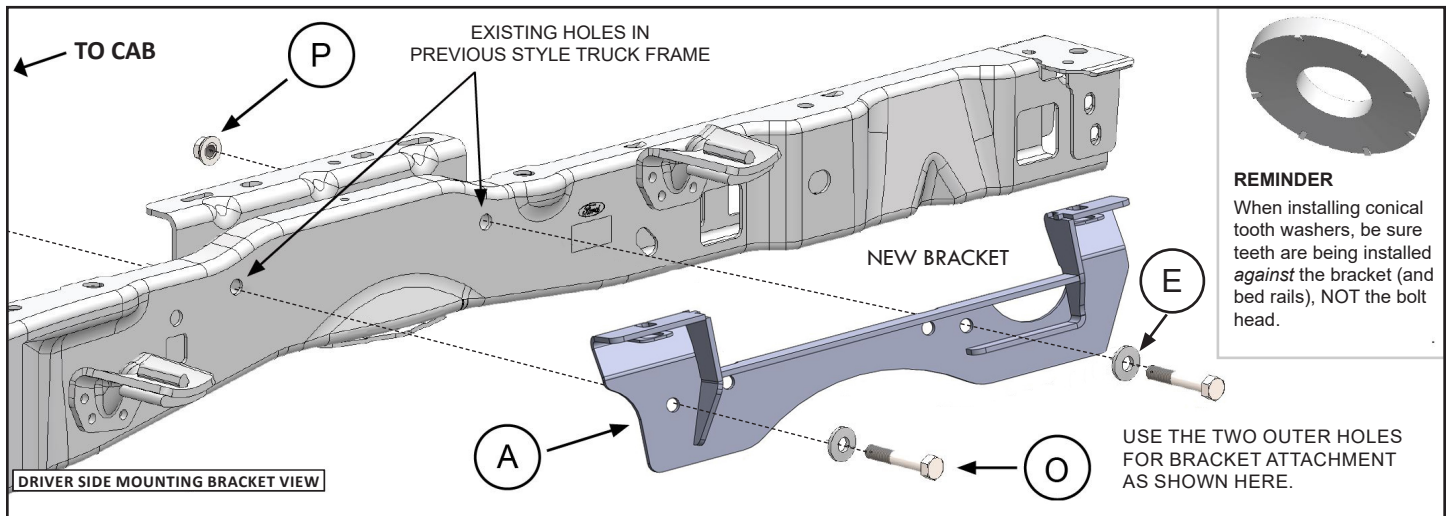
7. Remove both mounting brackets from the frame and drill out all pilot holes with a step drill to 3/4".



PREVIOUS FRAME STYLE FITTING

The Ford frame change occurred in 2023 during the model year, warranting modification of this bracket. However, these brackets will also fit the previous Ford frame style. Below is the driver side bracket fit for the old style frame. See page 10 for installing procedures and precise bolt torque values.

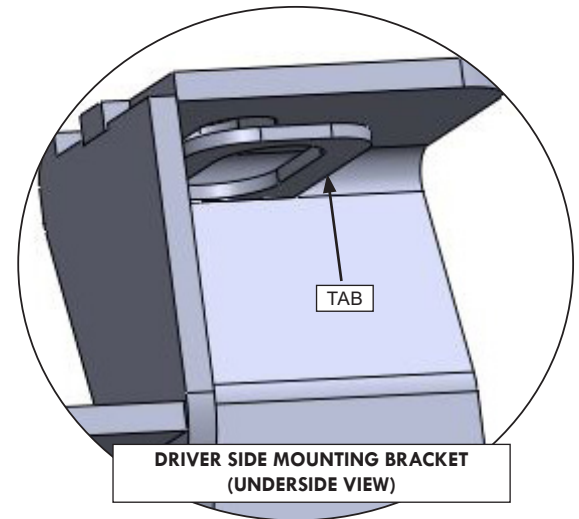
FORD TRUCK FRAME (PREVIOUS STYLE 2017 - EARLY 2023)



INSTALLATION

PART 2 — BRACKET INSTALLATION

1. Examine the Mounting Brackets and note that there is a 1/8" thick tab located just below the slotted bolt hole in the top plate of the Mounting Bracket (see right). The purpose of this tab is to assist you in holding the Flange Nut {P} in place. To install, pry the "tab" down far enough so that a Flange Nut can be inserted, then push the "tab" back up into position. The Flange Nut should be able to slide in and out while the "tab" holds the nut in place. When fastening the Base Rails to the Mounting Brackets, the Flange Nut can easily be positioned under the square hole in the Base Rail using a pen or other small tool. When tightening the Base Rail Bolts with an impact gun, start slowly as the "tab" may otherwise "strip out."
2. Place the driver side mounting bracket over the existing holes in the frame, making sure it is flush with the side of the frame.
3. Insert the two, 5/8"-11 X 3-1/2" Mounting Bracket Bolts {O} through the 5/8" Serrated Conical Washers {E}, through the bracket and frame and into the 1/2" Flange Nuts {P}. Hand tighten only.
4. Repeat the above steps for the Passenger side Mounting Bracket.



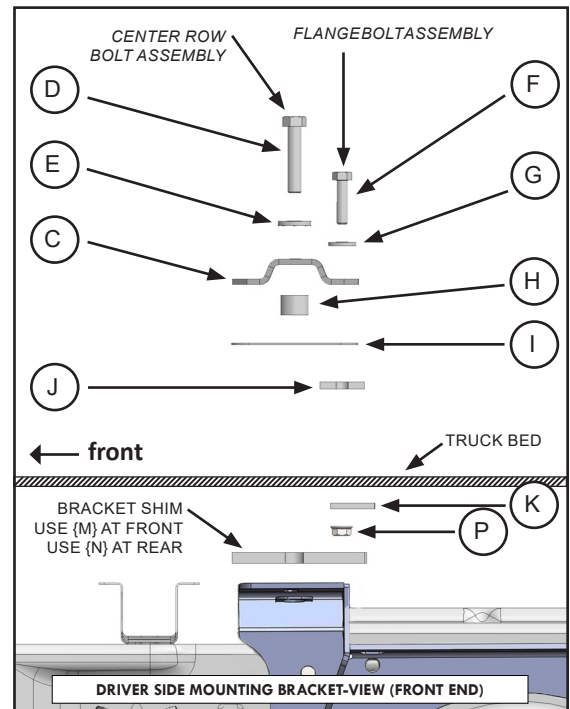
PART 3 — SHIMMING THE BED

IMPORTANT: Steel parts cannot be installed directly against aluminum as it will cause corrosion. We have provided plastic and modified parts with plastic coverings to be installed against Ford's new aluminum truck bed. View the part configuration to the right carefully, making sure that no steel parts are in direct contact with aluminum.

1. To prevent "crushing" of the corrugated truck bed, we provide shims and backup plates to be installed above and/or below the truck bed where necessary. Not all truck beds are installed exactly the same when manufactured, so it is necessary for you to determine where to place your shims, relative to the bolt locations (see Layout Method).
2. The flange row bolt assemblies are installed on the flange of each base rail (rows 2 & 4; refer to "Layout Method") to achieve the 20K rating. Use the Single Slot Shim {J} where necessary, according to bed channel locations. An Offset Hole Backup Plate {K} is installed under the truck bed to prevent crushing of the bed.

IMPORTANT: Single Slot Plastic Shims {J} and Backup Plates {K} have been modified with a plastic cover. You must be sure to install the plastic side of the shim or backup plate to be in contact with the aluminum bed—not metal-to-metal. Also, see note (opposite) concerning Conical Tooth Washers {E}.

NOTE: It may be necessary to remove some material on the Small Bed Isolator Shim {N} for it to fit properly, depending on the manufacturer's tolerances. Use a grinder or hand file until it slides into place freely.



PART 4 — FINAL INSTALLATION PROCEDURES

1. Set the hitch on the Industry Standard Rails by centering the tabs on the bottom of the hitch into the slots on the rails.
2. Install the hitch pins through the side of the base rails to secure the hitch assembly to the base rails using the supplied pin clips.
3. Make certain the hitch comes on and off without binding prior to completing final torques.
4. Tighten all bolts, including the base rail bolts, according to the Torque Table.

TORQUE TABLE	
3/8" bolt	— 31 ft. lbs.
1/2" bolt	— 75 ft. lbs.
5/8" bolt	— 151 ft. lbs.
3/4" bolt	— 266 ft. lbs.



MANUFACTURED BY:
PULLIAM ENTERPRISES, INC.
13790 East Jefferson Blvd.
Mishawaka, IN 46545
(574) 259-1520 • (800) 443-2307
info@pullrite.com • www.pullrite.com