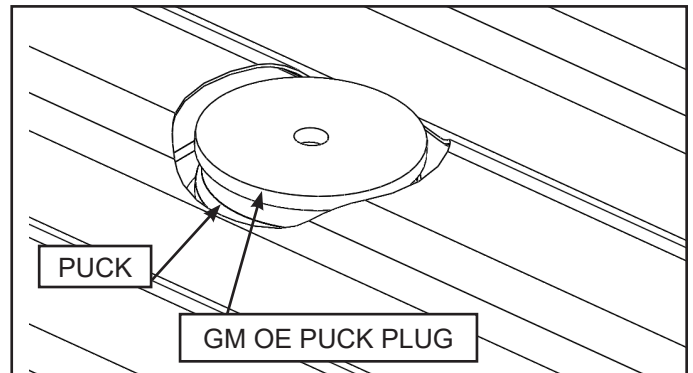
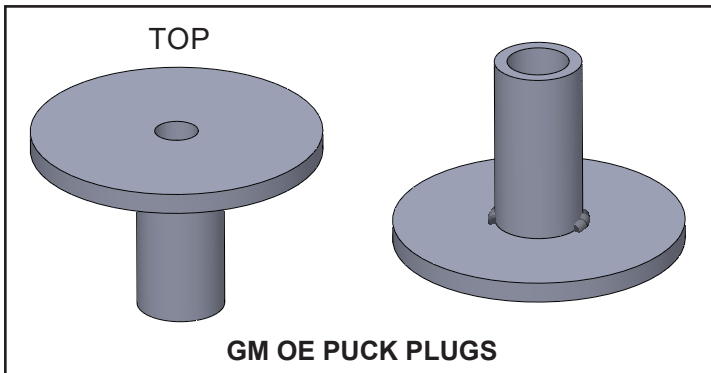




GM OE Puck Plug Kit

(Part #2620)

This kit is for GM trucks featuring the OE tow prep package. The #2620 GM OE Puck Plug Kit fills the gap between the truck bed and the tops of the pucks, adding bed support for the #2600 SuperLite and #3900 Single Point Attachment Super 5th's Bed Saver Rails. **Fits 2011-2019 GM trucks (not needed for 2020 models)**



1. Remove the (4) OE Puck covers.
2. Holding the top of the plug, place the bottom of the Plug into the GM Puck. The Plug will fit loosely. Center within the hole.
3. Repeat with remaining, making sure all (4) plugs are set into each puck location.

