



OWNER'S MANUAL



#2600 (20K) Single Point Attachment Fifth Wheel Hitch

| | |
|--|-------------|
| Gross Trailer Weight (Maximum) | 20,000 lbs. |
| Vertical Load Weight (Max. Pin Weight) | 5,000 lbs. |

The following instructions provide valuable information regarding the function and proper use of the SuperLite Fifth Wheel Towing System.

YOU MUST COMPLETELY READ THE INSTRUCTIONS WITHIN THIS MANUAL, PRIOR TO OPERATING THE HITCH TO PREVENT UNNECESSARY DAMAGE TO THE HITCH, VEHICLE, OR TRAILER.

For more information, please call PullRite at (800) 443-2307.

TABLE OF CONTENTS

| | |
|---|----|
| SYSTEM WEIGHT RATING vs. COMPONENT WEIGHT RATING..... | 3 |
| CAB CLEARANCE..... | 3 |
| GM TRUCK SUPPORT BRACKET INFO..... | 4 |
| KING PIN ADAPTER BALL & COUPLER TUBE..... | 5 |
| BED SAVER RAILS..... | 5 |
| ANNUAL MAINTENANCE..... | 5 |
| HEIGHT ADJUSTMENT..... | 6 |
| KING PIN ADAPTER INSTALLATION..... | 7 |
| GOOSENECK RECEIVER INSTALLATION..... | 8 |
| ATTACHING THE HITCH..... | 9 |
| HITCHING..... | 10 |
| SAFETY CHECKS PRIOR TO TOWING..... | 10 |
| UNHITCHING..... | 11 |
| CHALLENGE VS SOLUTION..... | 11 |
| ROTA-FLEX PINBOX RUBBER ISOLATOR..... | 12 |
| RELATED ACCESSORIES..... | 13 |
| #2600 EXPLODED VIEW..... | 14 |
| #2600 PARTS LIST..... | 15 |
| TORQUE TABLE..... | 15 |
| YEAR LIMITED WARRANTY..... | i |
| PRODUCT REGISTRATION..... | ii |

SYSTEM WEIGHT RATING vs. COMPONENT WEIGHT RATING

A towing system includes each vehicle and component involved in towing. Each item in your towing system has a capacity or weight rating. Your trailer has a Gross Vehicle Weight Rating or GVWR. Your truck has a towing capacity, a payload capacity, and possibly more. In addition, your fifth wheel hitch has a weight rating. This weight rating must be at, or above, the GVWR of your trailer for you to tow safely. In addition, if your truck can tow larger loads (has a larger capacity) than the rating of your hitch, your system is only safe to tow loads at the lower rating, that of the hitch.

Your gooseneck ball will also have a weight rating, just like your fifth wheel hitch. Many times, these ratings are designed to match, but this is not always the case. Your gooseneck ball may be higher rated than your fifth wheel hitch, but it also could be lower depending on the components involved. The lowest rating of any one component in the system becomes the rating of the entire system. If your ball is rated to 18,000 lbs., and your hitch is rated at 24,000 lbs., the weight rating of the entire system will not be above 18,000 lbs. Other components in the system could lower the actual system rating further.

It is the end users responsibility to ensure a safe towing experience. To this end, It is your responsibility to ensure that the truck, trailer, hitching components, and all other items involved are rated or have a capacity sufficient for the loads involved.

CAB CLEARANCE

If you are towing with a short bed truck, you may be aware that adequate cab clearance is needed for sharp angle turns and damage to the truck cab could occur if the clearance is not calculated correctly.

This formula is a guide for checking clearance: (cab to axle) - (half of trailer width) = cab clearance

Here are a few examples:

| BED LENGTH | CAB-TO-AXLE DIST. | CAB-TO-TRAILER CLEARANCE |
|------------|-------------------|--|
| 8 ft. | 56" | 56" - 48" = 8" of cab clearance |
| 6 ft. | 40" | 40" - 48" = - 8" negative cab clearance |
| 5-1/2 ft. | 28-1/4" | 28.25" - 48" = -19.75 negative cab clearance |

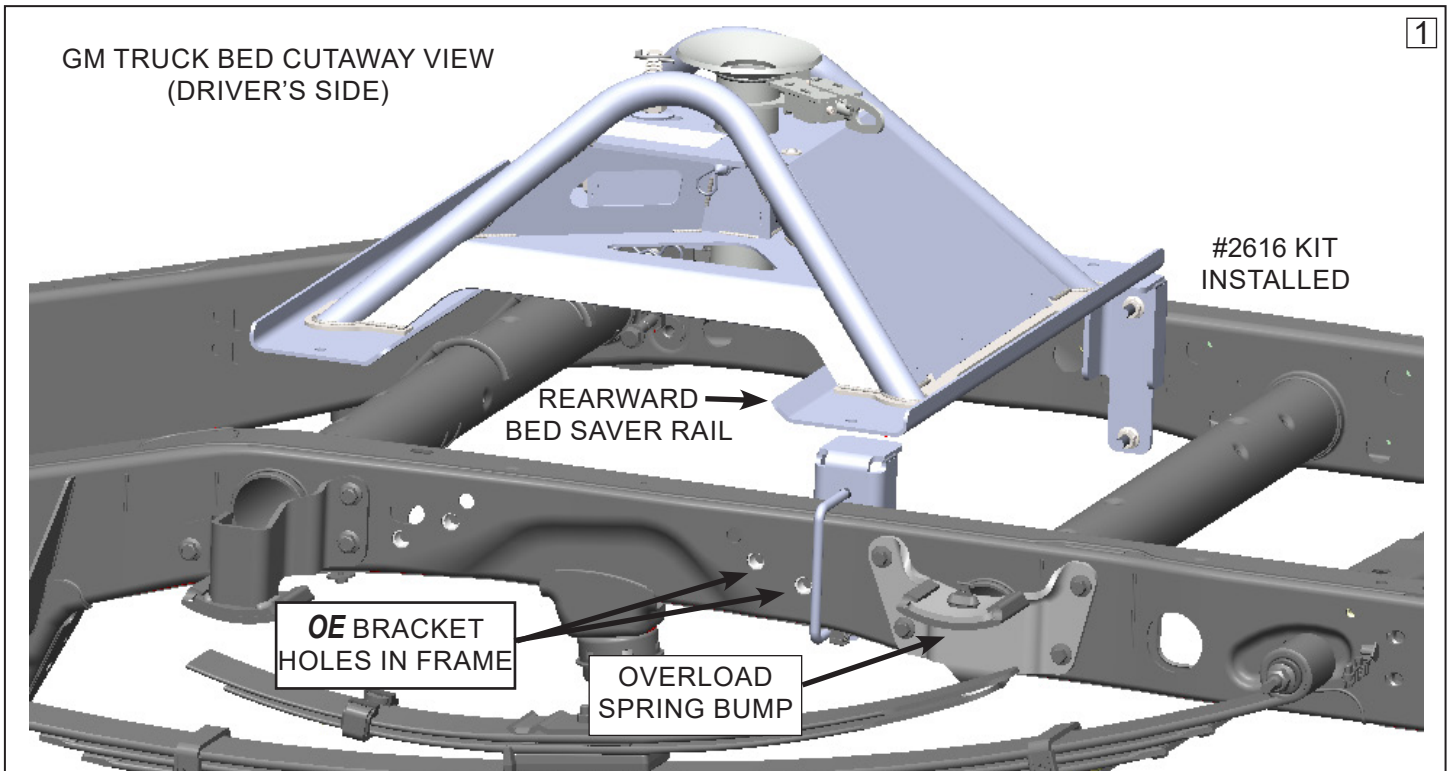
As you can see, an 8' bed truck provides more clearance than needed, whereas a 6' bed truck does not allow for a full 90 degree turn and does not provide sufficient cab clearance by 8". Not ideal, but manageable provided you watch your tighter turns. The 5-1/2' bed truck provides even less cab clearance.

While the #2600 can be used with these shorter bed trucks, keep in mind that PullRite only recommends the use of a slider type hitch for any towing application without 100% cab clearance.

GM TRUCK SUPPORT BRACKET KIT #2616

REQUIRED WHEN USING THE #2600 SUPERLITE IN GM TRUCKS FROM YEARS 2010 - PRESENT

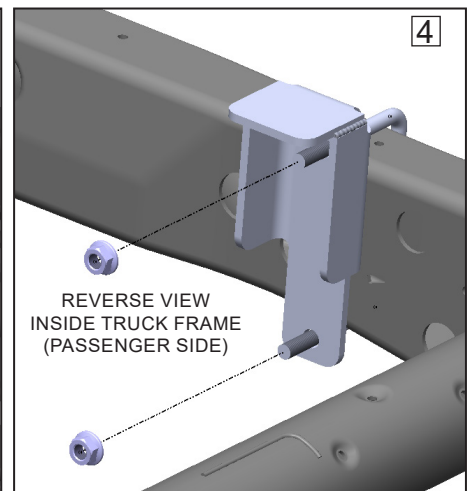
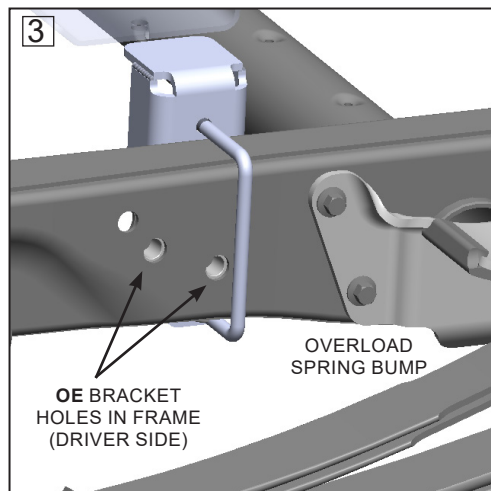
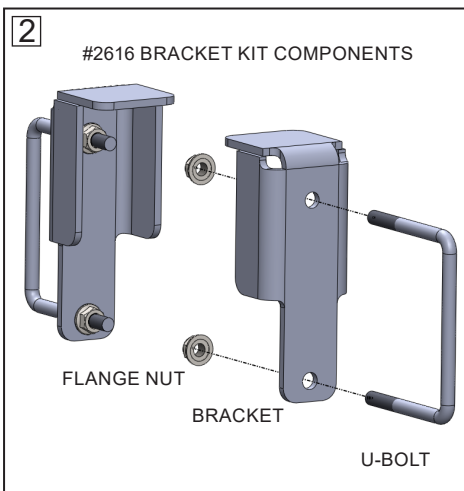
This bracket kit fastens under the GM truck bed to the frame where the SuperLite's rearward rail sits. This helps support the hitch and prevents wear to the truck bed. The bracket kit is a no-drill install that clamps around the truck frame on both sides.



Note: The brackets are identical and can be used for either side.

To Install, make sure top of the brackets are placed below the #2600 rearward bed saver rail. {fig.1}

1. Place U-bolt around the truck frame at the point between the **OE** bracket holes and the overload spring bump. {fig.3}. and slide on brackets inside truck frame. Some frames will have the **OE** bracket present, but will not be an obstacle in this installation.
2. Hand tighten (4) flange nuts on brackets {fig 4}, and then torque all nuts to 75 foot pounds.



LUBRICATION

DO NOT OPERATE HITCH UNTIL YOU READ THIS SECTION!

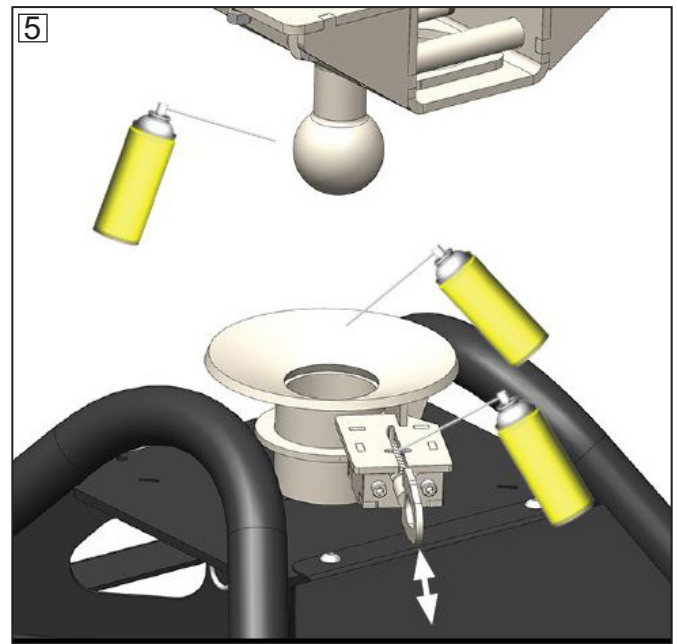
KING PIN ADAPTER BALL & COUPLER TUBE

The King Pin Adapter Ball and Remote Latch System must be lubricated before each trip or as needed. PullRite recommends using a dry graphite spray to prevent the attraction of dust and debris. A light wet lubricant such as WD-40 can also be used, but the two types of lubricants should not be used together.

Be sure the Coupler Tube is free of any obstructions prior to lubrication and before each use. Spray both the Tube and Funnel areas to aid in hitching up.

When lubricating the Remote Latch System using a dry graphite spray, place the latch system in both closed and open positions to cover the spring and pin effectively. If using a wet lube, pull the Release Handle repeatedly between the open and closed positions, so the lubricant is evenly spread among the moving parts.

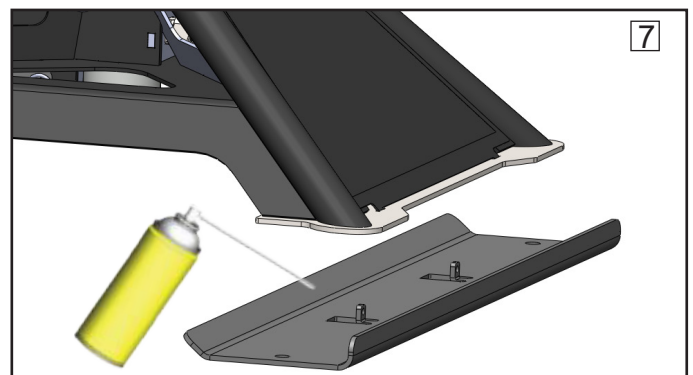
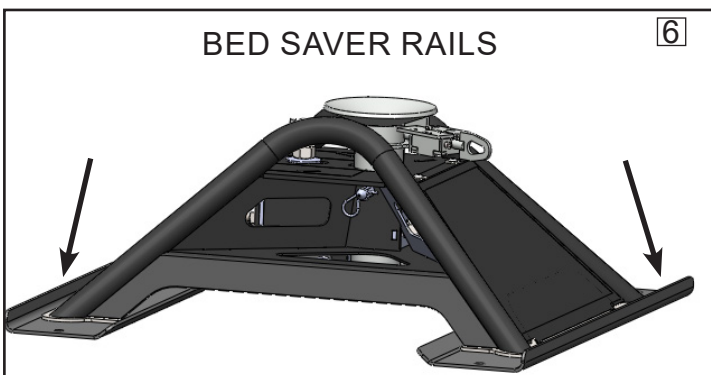
Be sure the King Pin Adapter Ball is clean and free from rust. A light coating of lubricant should be used before each trip or as needed.



BED SAVER RAILS

The Bed Saver Rails connect to the bottom of the hitch and are coated with bed liner type material to protect your truck bed against scratches, paint wear, and galvanic corrosion when in contact with aluminum truck beds. These Bed Saver Rails are engineered to distribute the weight of the load more evenly, also to keep the hitch from laterally rotating out of its intended position.

Because these Bed Saver Rails absorb the vibration movement of the hitch, use a spray like WD-40 for the areas on top where the Hitch Base makes contact. An alternative to lube would be to use our Plastic Slide Kit. See accessories on page 13 for details.



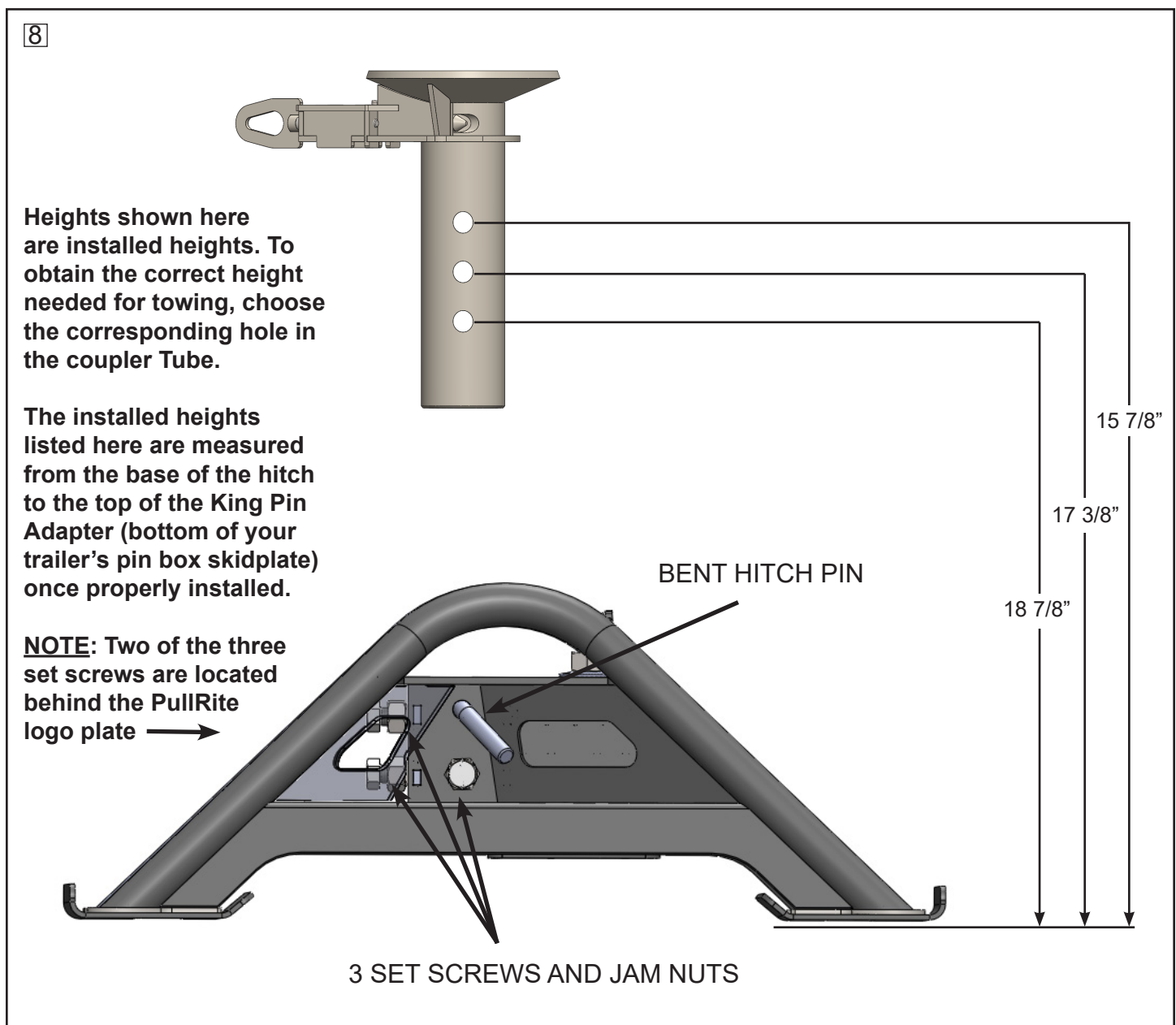
ANNUAL MAINTENANCE

Inspect all hitch hardware to verify that it is securely fastened. Inspect set screws and bolts for tightness and general condition. When storing your SuperLite hitch, you should be sure that the coupler and hitch parts are lubricated with WD-40, or dry lube like our own Slip Plate brand spray (#33040301). Use wet lube for wear areas such as the contact area between the Hitch Base and the Bed Saver Rails where the paint may rub off and form rust. Cover the entire assembly to prevent accumulation of dirt, grime, and rust.

HEIGHT ADJUSTMENT

The #2600 SuperLite is height adjustable and can be set at three positions. Refer to fig. 8 below and the “#2600 Exploded View” drawing on page 14, following each step below to adjust your hitch’s height:

1. Loosen the three coupler jam nuts (7/8” socket) as well as the three coupler bolts (3/4” socket). It is not necessary to remove the bolts - just back out about two complete turns or until the coupler is loose in the base.
2. Remove the bent hitch pin and clip and adjust to the desired height.
3. Re-pin and clip.
4. Torque the three set screws first to 45 ft. lbs., then tighten the jam nuts to 45 ft. lbs. as well. *Over-tightening these set screws could cause damage to the base. Always torque properly.*

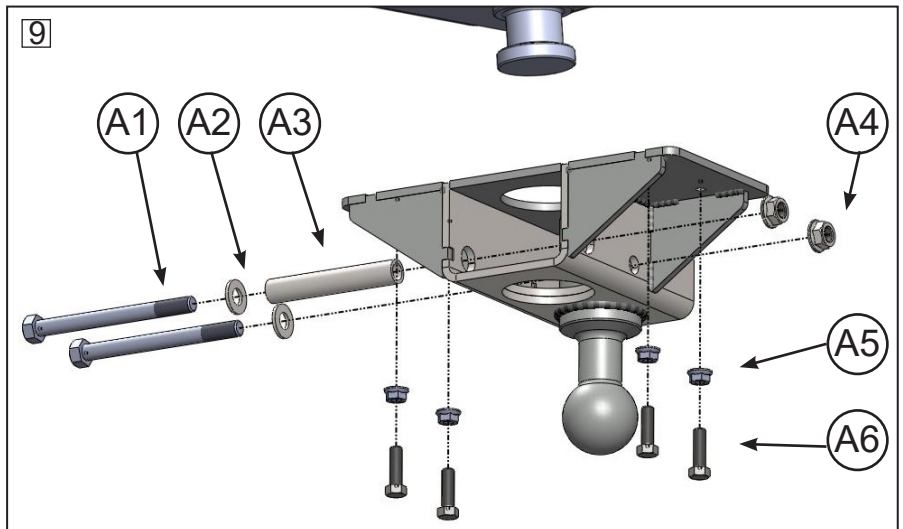


KING PIN ADAPTER INSTALLATION

1. Verify that the king pin is clean and free of burrs before installing the King Pin Adapter. Remove any burrs with a flat file. If you are having fit issues, see “Challenge vs. Solution” on page 11.

2. Slide the King Pin Adapter over the king pin and install one Adapter Plate Bolt {A1} and Flat Washer {A2} horizontally through the smaller cross hole nearest the hitch ball (right). Install 1/2” Flange Nut {A4} and hand tighten only.

3. Install the Adapter Bolt Reinforcement Tube {A2} through the larger cross hole in the Adapter Plate, then the remaining Adapter Plate Bolt and Flat Washer through this tube. Install nut and snug by hand.



4. The adapter can be installed with the hitch ball offset in two positions—either ahead or behind the king pin. Determine the position you would like installed; placing the hitch ball ahead of the king pin will add additional cab clearance during tight turns, but does not guarantee total cab clearance for short bed trucks. Likewise, placing the ball behind the king pin will reduce the trailer-to-cab clearance. Orient the King Pin Adapter appropriately and make sure it's aligned parallel with the king pin box.

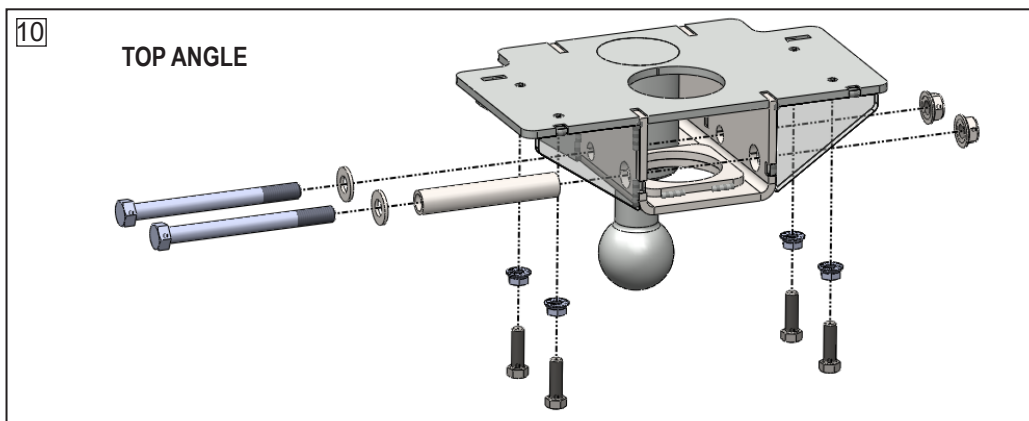
5. Tighten the four Adapter Plate Set Screws {A6} evenly with a 9/16” socket, and torque to 20 ft. lbs. The gap between the King Pin Adapter and the king pin box's skid plate may be uneven due to several conditions, e.g., concave or convex skid plate or a skewed king pin.

6. Tighten the four 3/8” Flange Nuts {A5} until tight (approximately 20 ft. lbs.)

7. Torque both Adapter Plate Bolts installed in Steps 2 & 3 to 75 ft. lbs.

8. Should you want to change the orientation of the adapter, it should only be necessary to loosen the Flange Nuts {A5} and Adapter Plate Set Screws, and rotate the Adapter Plate on the king pin. Loosening the remaining hardware should not be necessary most of the time.

NOTE: It is important that you check the tightness of the adapter set screws often, as they can begin to work themselves loose over a period of time from the normal stresses of towing.

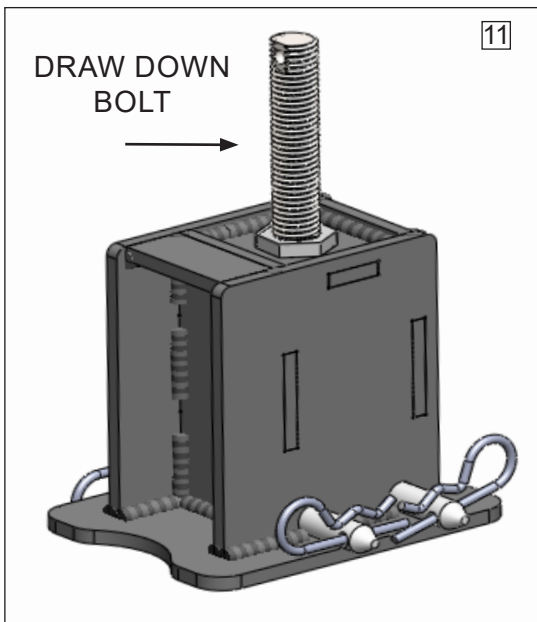


GOOSENECK RECEIVER INSTALLATION

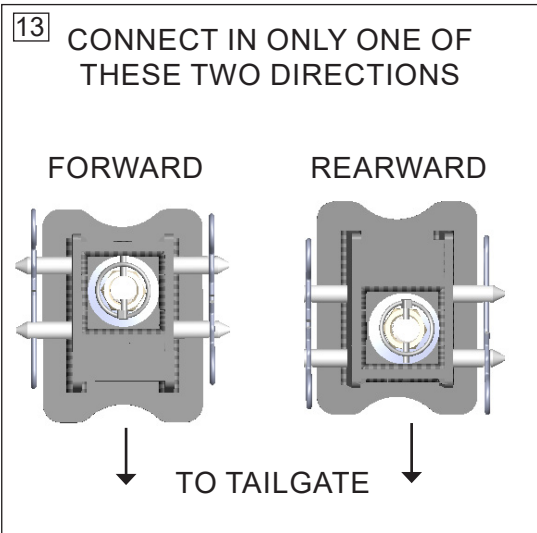
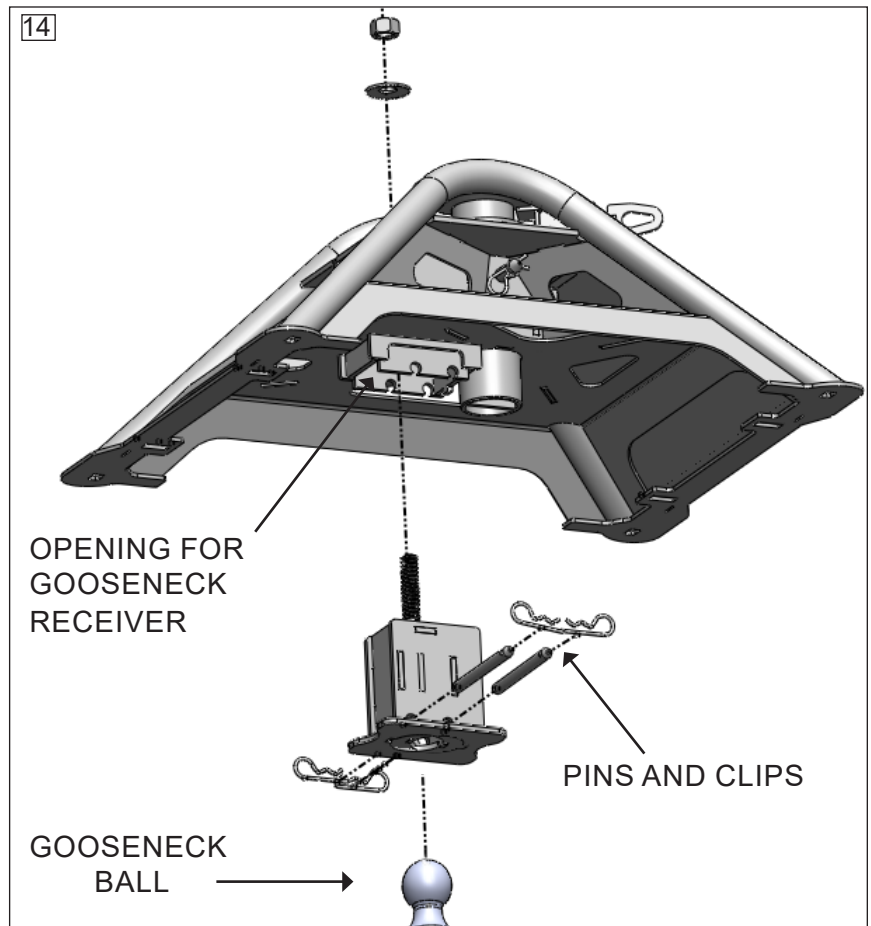
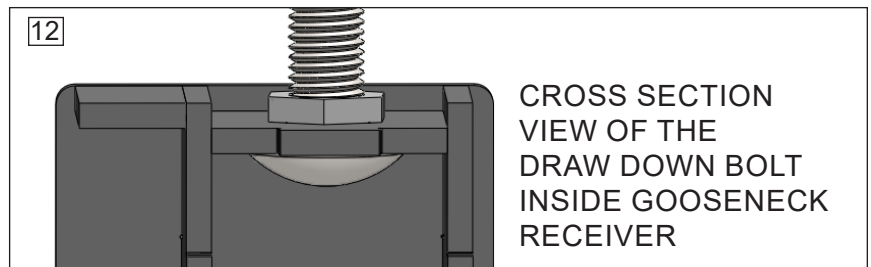
The Gooseneck Receiver is the box that fastens to the original equipment (prep kit) gooseneck ball or aftermarket turnover ball in the bed of the truck. Its purpose is to secure the connection of the hitch to the truck bed by way of the Draw Down Bolt (3/4" X 4 1/2" carriage bolt). The Gooseneck Receiver can be adjusted 1 inch in either the forward or rearward direction as needed. See the "ABOVE VIEW" diagram below left on this page.

1. Place Gooseneck Receiver over the ball in the truck bed as shown below. Connect with provided clevis pins through the (2) holes in the bottom of the Gooseneck Receiver. Then fasten hairpin clips through clevis pins on both sides.
2. Make sure Gooseneck Receiver is facing one of the two directions as shown in the "ABOVE VIEW" diagram to ensure the hitch is placed in the correct position.

GOOSENECK RECEIVER

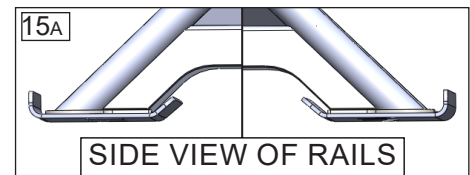
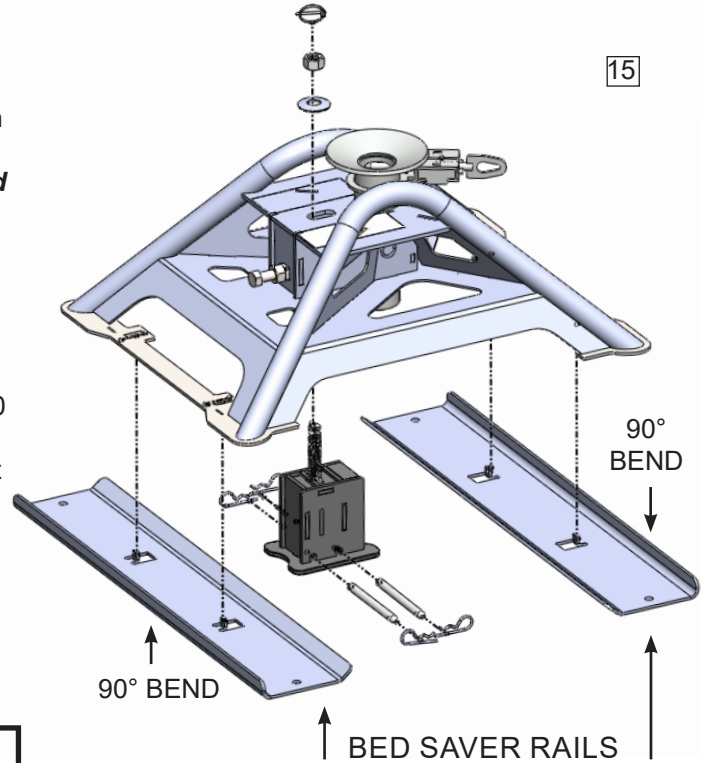


ABOVE VIEW

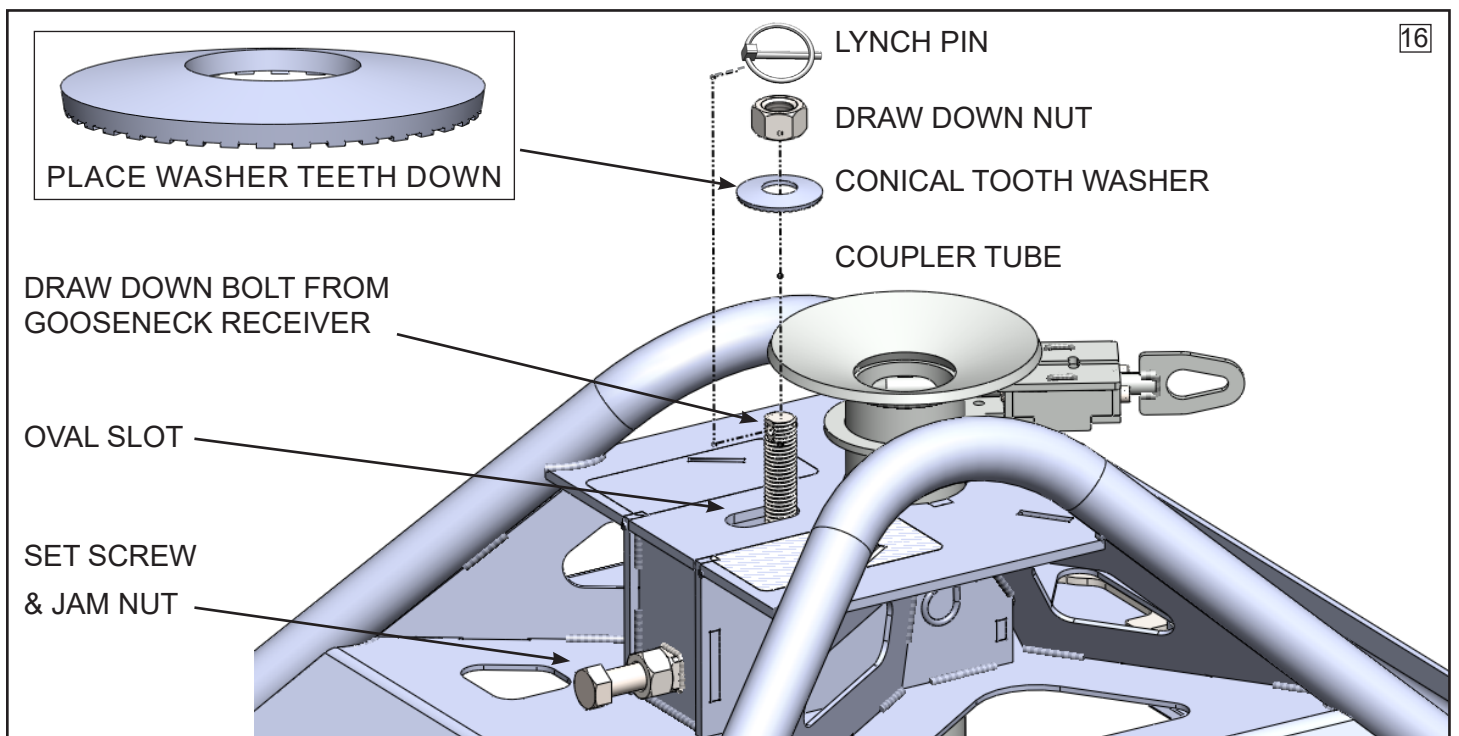


ATTACHING THE HITCH

1. Set the hitch over the Gooseneck Receiver with the PullRite logo plate facing the truck tailgate. Make sure that the Draw Down Bolt from the Gooseneck Receiver extends up through the oval slot in the top of the hitch near the Coupler Tube. Slide the Bed Saver Rails in place under hitch feet (**90° bend facing outward seen in Fig.15A**), and attach with clips. Once the hitch is seated, the next step is to fasten the hitch down to the truck bed.
2. Place the Conical Tooth Washer (teeth down) over the Draw Down Bolt to the hitch, and then thread on the Draw Down Nut. Use a torque wrench to tighten the nut to 60 foot pounds. As an extra measure of security, insert the provided lynch pin through the hole in top of Draw Down Bolt above the nut and snap ring over into the lock position.
3. Locate the set screw and jam nut on the front of the hitch facing the truck cab. Tighten the set screw to 45 foot pounds using a torque wrench, and then snug tighten the jam nut. Make sure hitch is tight against the truck bed.



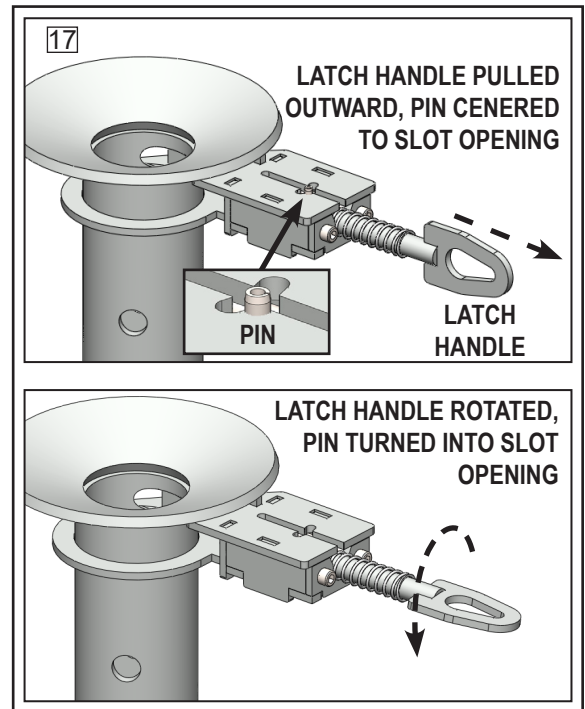
Warning: The Draw Down Bolt and fasteners are the only bolt holding your hitch in place, care should be given to make sure that each time you install your hitch, you have inspected each fastening element for wear, corrosion, crossed threads or any unusual appearance. you should also check the torque of the Draw Down Nut between each use.



HITCHING

WARNING: Never perform any of the following actions while any part of a person is between the vehicle and trailer.

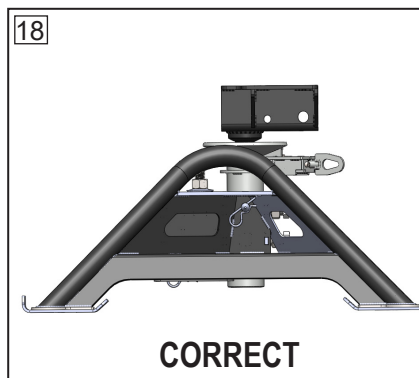
1. Verify that the Latch Handle is pulled outward and rotated (left or right) into the latched open position (Fig. 17). Damage could result should you attempt to hook up with the latch pin in the closed position.
2. Lower the trailer landing gear high enough to raise the ball above the top of the coupler funnel.
3. After lowering your truck tail gate, back the truck under the kingpin adapter to orient the ball above the funnel coupler (make sure there is space to completely back your truck into hitching position with the tailgate down). It is not necessary to be completely centered over the coupler, as long as the center of the ball is inside the diameter of the "funnel". The ball should slide toward the coupler tube when the trailer jacks are retracted.
4. Lower the trailer landing gear so the ball drops into the hitch coupler. The ball must be fully seated in the coupler to allow the latch mechanism to close properly.
5. Once the weight of the trailer is supported by the tow vehicle, use the latch handle to rotate the latch pin so that it retracts into the locked position. Do not forget this step.



SAFETY CHECKS PRIOR TO TOWING

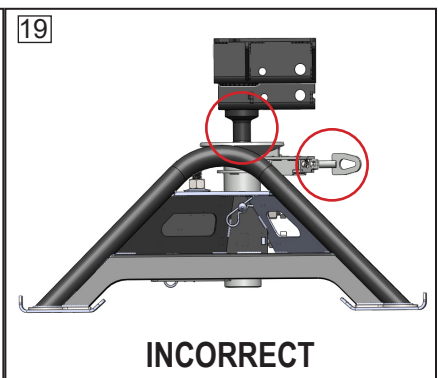
1. Prior to towing, it is imperative to know if are hooked up and the lock pin is engaged:

- First, check the height of the King Pin Adapter; if seated properly below the Latch Pin, it will sit at the correct height (Fig. 18). If it's sitting higher than it should, you've either not lowered your trailer enough, or it's sitting on top of the Latch Pin inside the Coupler Tube.



- Second, check the Latch Handle.

If it is pulled outward in the open position, you've not secured the Lock Pin over the ball of the King Pin Adapter (Fig. 19).



2. Raise the trailer jack base plates just above the ground, lock your trailer brakes, then pull the tow vehicle slowly forward putting a strain on the trailer.
3. When you are assured that the trailer is safely hooked up, raise your trailer jacks into their full retracted position.

FAILURE TO PERFORM THESE SAFETY CHECKS MAY RESULT IN DAMAGES TO TRUCK AND TRAILER.

UNHITCHING

WARNING: Never perform any of the following actions while any part of a person is between the vehicle and the trailer.

1. Once you have the trailer located and are ready to unhitch, block the trailer wheels so it will not roll back or forward.
2. Pull the Latch Handle towards the rear of the vehicle and rotate either clockwise or counterclockwise into the slotted opening as you did in the “Hitching” section. The latch pin must be retained in the open position to release the adapter ball from the tube.
3. Extend the trailer jacks until the ball is fully removed from the Coupler Tube and above the top of the coupler funnel.
4. After lowering the truck’s tailgate, disconnect the trailer’s electrical cord and break-away switch cable, then pull forward.

CAUTION: If you find it necessary to reposition your trailer, you must follow the hitching procedures to ensure the hitch is latched before moving the trailer.

CHALLENGE VS. SOLUTION

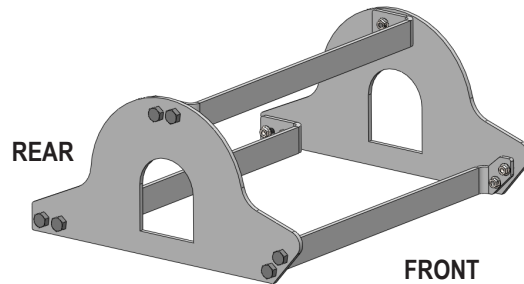
| CHALLENGE | SOLUTION |
|---|---|
| Cannot open the Latch Pin. | Should only be restricted if trailer is applying pressure to the pin. Raise trailer jacks to relieve ball pressure against pin. |
| My King Pin Adapter isn’t fitting well over the king pin. | Paint or “crud” build-up on the upper flange of the king pin (particularly near the junction of the king pin and skid plate), bent, skewed, or king pins that are too long or too short can cause a poor fit. Contact PullRite’s Customer Service Dept. at (800) 443-2307 and we will give you suggestions what you can do to correct these problems. |
| Trailer overhang is hitting the truck bed rails when the trailer and truck are at sharp angles. | Raise or lower the hitch coupler height and/or lower the king pin box. There should be at least 6” between the top of the bed rails and bottom of the trailer. |
| The latch handle mechanism seems too stiff to operate. | Spray the locking mechanism with WD-40. Work the handle until it slides freely. If the problem persists, you may need to degrease and re-lube all working parts. |
| I need to have a professional evaluate my SuperLite 2600. | Contact PullRite’s Customer Service Dept. at (800) 443-2307. Your needs will be assessed and resolved by PullRite or you will be directed to an authorized PullRite Service Center. |

ROTA-FLEX PINBOX RUBBER ISOLATOR

In the case that you use a Rota-Flex pinbox or similar design, the rubber block inside the pinbox has a tendency to work its way out of place while towing with the #2600 hitch. PullRite's Pinbox Rubber Isolator (Part # 4447) restricts and keeps the rubber block in place. *SOLD SEPARATELY.*

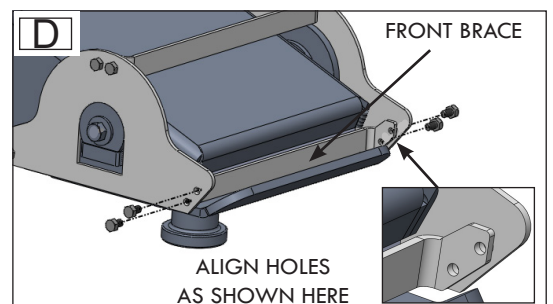
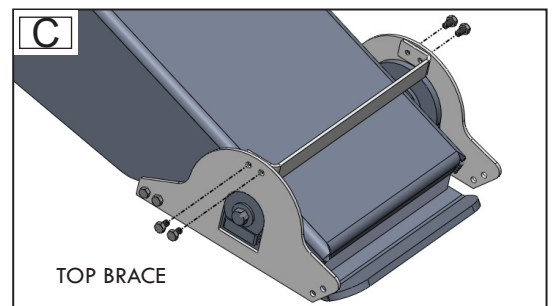
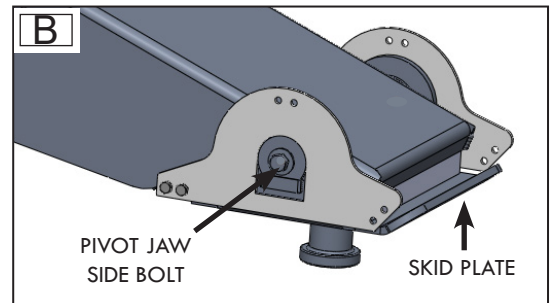
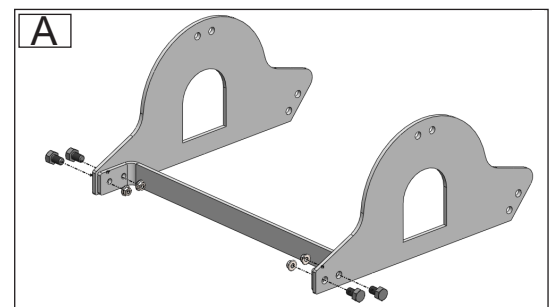
#4447 PINBOX RUBBER ISOLATOR KIT INCLUDES:

- 1 - FRONT BRACE
- 2 - REAR / TOP BRACE
- 2 - SIDE PLATES
- 12 - 5/16-18 X 1/2 INCH BOLTS
- 12 - 5/16-18 SERRATED FLANGE NUTS

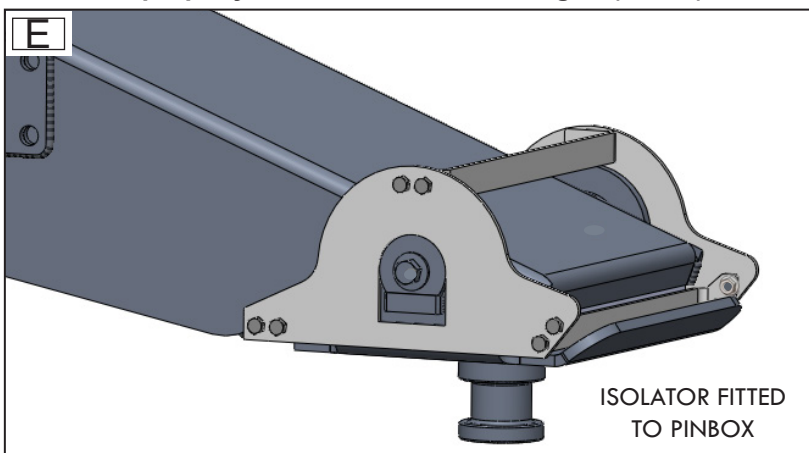


#4447 KIT INSTRUCTIONS

1. Bolt the REAR BRACE to the inside of both SIDE PLATES as shown {fig. A}, and fasten using (4) 5/16-18 X 1/2 inch bolts and (4) 5/16-18 serrated flange nuts.
2. Take the assembled parts from line 1 {fig.A}, and hook the unit under the pinbox and on top of the skid plate behind pivot jaw. Pull unit in toward the front of the Rota-Flex until the SIDE PLATE cutouts are over the side bolts and fixtures of the pivot jaw {fig.B}.
4. Line up the holes on the TOP BRACE with those of the SIDE PLATES and fasten using (4) 5/8-18 X 1/2 inch bolts and (4) 5/16-18 serrated flange nuts {fig.C}.
5. Fasten the FRONT BRACE to both SIDE PLATES using (4) 5/16-18 X 1/2 inch bolts and (4) 5/16-18 serrated flange nuts {fig.D}. Pliers or vice grips are useful to help line up the holes to the SIDE PLATES.
6. Torque all 5/16 inch bolts to 15 foot lbs.

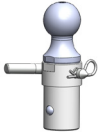



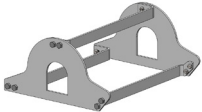

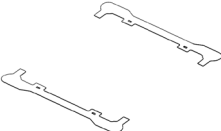


A properly fitted kit will look like Fig. E (below).

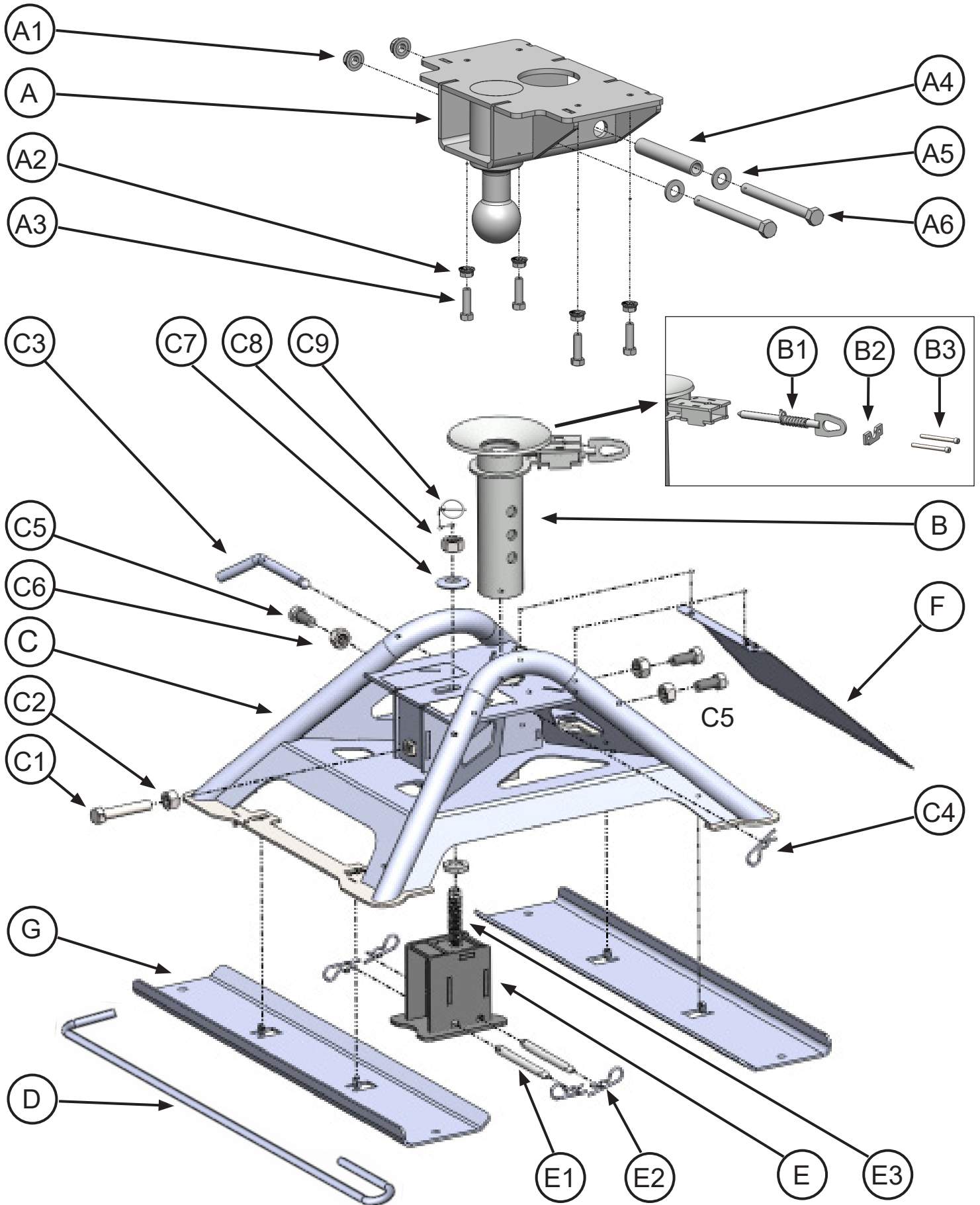


RELATED ACCESSORIES

PullRite offers these excellent accessories for towing with the #2600 hitch. These products are American made and available now through PullRite dealers.

| IMAGE | DESCRIPTION | PART # |
|---|---|--------|
|  | <p>30K OE Series Gooseneck Ball</p> <ul style="list-style-type: none"> -Fits truck's factory-equipped Tow Prep Package. -American made with patented TwistLock technology. -Zinc finish | 4436 |
|  | <p>30K OE Series Gooseneck Ball w/ Plate</p> <ul style="list-style-type: none"> -Fits truck's factory-equipped Tow Prep Package. -American made with patented TwistLock technology. -Hard nickel finish resistant to scratches. | 4437 |
|  | <p>20K SuperLite Horse Trailer Adapter</p> <p>Easy to install adapter for a horse trailer, or any gooseneck-type trailer</p> | 4443 |
|  | <p>Pinbox Rubber Isolator</p> <p>Keeps rubber on Rota-Flex pinboxes from working its way out of place when towing with the #2600</p> | 4446 |
|  | <p>Pinbox Rubber Isolator</p> <p>A stronger and easier to install upgrade of the #4446</p> | 4447 |
|  | <p>SlipPlate Dry Graphite Lubricant Spray</p> <p>Case of 12 - 12 ounce cans</p> <p>(Single 12 ounce can - #33040301)</p> | 330403 |
|  | <p>Plastic Slide Kit for Bed Saver Rails</p> <p>Eliminates the need for lubricant where the rails make contact with the hitch</p> | 2618 |

#2600 EXPLODED VIEW



#2600 PARTS LIST

| ITEM | DESCRIPTION | PART NO. | QTY | DESCRIPTION |
|--|----------------------------------|----------|-----|---------------------------------------|
| A | KING PIN ADAPTER | 2403 | 1 | |
| B | COUPLER TUBE ASSEMBLY | 2407 | 1 | |
| C | BASE HITCH | 2601 | 1 | |
| D | RELEASE HANDLE | 2405 | 1 | |
| ADAPTER PLATE HARDWARE KIT | | | | |
| A1 | 1/2" FLANGE NUT | 98150201 | 2 | 1/2-13" SERRATED FLANGE NUT |
| A2 | 3/8" FLANGE NUT | 98150168 | 4 | 3/8-16" FLANGE NUT |
| A3 | ADAPTER PLATE SET SCREWS | 98010222 | 4 | 3/8-16 X 1.25" HCS |
| A4 | ADAPTER PLATE REINFORCEMENT TUBE | 24030201 | 1 | 0.75 X 0.531 TUBE |
| A5 | FLAT WASHER | 98250147 | 2 | 1/2" FW |
| A6 | ADAPTER PLATE BOLT | 98010203 | 2 | 1/2-13 X 5 1/2 HCS GRD 5 |
| LATCH PIN ASSEMBLY | | | | |
| B1 | LATCH HANDLE | 240205 | 1 | HANDLE AND SPRING |
| B2 | LATCH PIN HOUSING COVER | 24020601 | 1 | |
| B3 | LATCH PIN HOUSING SET SCREW | 98410236 | 2 | 1/4-20 X 2.75" SHCS ZINC |
| BASE HARDWARE KIT | | | | |
| C1 | GOOSENECK RECEIVER SET SCREW | 98010232 | 1 | 5/8-11 X 3 1/2 TAP SCREW |
| C2 | GOOSENECK RECEIVER SET JAM NUT | 98150176 | 1 | 5/8-11 HEAVY JAM NUT |
| C3 | COUPLER TUBE PIN | 010019 | 1 | 5/8 PIN - 0.625 DIA. |
| C4 | COUPLER TUBE CLIP | 98410143 | 1 | HAIRPIN CLIP |
| C5 | COUPLER TUBE SET SCREW | 98010231 | 3 | 5/8-11 X 1 1/2 HCS |
| C6 | COUPLER TUBE JAM NUT | 9815176 | 3 | 5/8-11 JAM NUT |
| C7 | CONICAL TOOTH WASHER | 98200173 | 1 | 3/4 CONICAL TOOTH WASHER |
| C8 | DRAW DOWN NUT | 98150131 | 1 | 3/4-10 HEX NUT |
| C9 | LYNCH PIN | 98410525 | 1 | SNAP RING LYNCH PIN |
| GOOSENECK RECEIVER AND HARDWARE KIT | | | | |
| E | GOOSENECK RECEIVER | 260202 | 1 | |
| E1 | GOOSENECK RECEIVER PINS | 26020206 | 2 | 1/2 PIN - 0.625 DIA. PINS |
| E2 | GOOSENECK RECEIVER CLIPS | 98410143 | 4 | HAIRPIN CLIP |
| E3 | DRAW DOWN BOLT | 26020207 | 1 | 3/4-10 X 4 1/2" CARRIAGE BOLT GRADE 5 |
| FRONT PLATE | | | | |
| F | FRONT PULLRITE LOGO PLATE | 260203 | 1 | |
| BASE RAILS | | | | |
| G | BED SAVER RAILS | 26030101 | 2 | |

TORQUE TABLE

| HARDWARE | SIZE | TORQUE SPECS |
|------------------------------|------|--|
| LATCH PIN HOUSING SET SCREWS | 1/4" | 5 FT. LBS - FACTORY ASSEMBLED |
| ADAPTER PLATE SET SCREWS | 3/8" | 45 FT. LBS - BOTH BOLT AND SET NUT, MUST BE TORQUED <i>BEFORE</i> INSTALLING ADAPTER PLATE BOLTS |
| ADAPTER PLATE BOLTS | 1/2" | 75 FT. LBS - TORQUE AFTER ADAPTER PLATE SET SCREWS |
| COUPLER TUBE SET SCREWS | 5/8" | 45 FT. LBS - THREE BOLTS AND SNUG TIGHTEN NUTS |
| DRAW DOWN NUT | 3/4" | 60 FT. LBS - HITCH TO GOOSENECK RECEIVER |
| GOOSENECK RECEIVER SET SCREW | 5/8" | 45 FT. LBS - ONE BOLT AND SNUG TIGHTEN NUT |

5 YEAR LIMITED WARRANTY

PULLIAM ENTERPRISES, INC. hereinafter referred to as "PULLIAM", warrants to the first retail owner only, this PullRite towing system to be free from defects in materials and workmanship for a period of five (5) years or 31,068 miles (50,000 km) after the installation on purchaser's vehicle, whichever occurs first.

To validate this warranty, the first retail owner must mail the provided warranty card to PULLIAM, or register online at www.pullrite.com, within ten (10) days after installation of said towing system on his vehicle.

The owner is responsible for all normal and preventative maintenance described in the Owner's Manual.

If any defect occurs which the owner believes is covered by this warranty within said five (5) year period, the owner shall contact PULLIAM immediately, either in writing or by telephone call, Attention Customer Service Department. The owner will be instructed to return the hitch at his expense either to an authorized PullRite dealer or to PULLIAM to repair or replace any parts necessary to correct defects in material or workmanship.

Repair or replacement shall be at the sole option of PULLIAM and shall be completed by or on behalf of PULLIAM free of charge for materials and labor.

This warranty gives you specific legal rights, and you may also have other rights which vary from state to state.

THIS WARRANTY SPECIFICALLY *EXCLUDES* EACH OF THE FOLLOWING:

1. Defects in the product resulting from misuse, neglect, accident, loading beyond the vehicle's capacity, failure to comply with instructions contained in the Owner's Manual or unauthorized repairs, replacements, alterations or modifications. "Unauthorized repair, replacements, alterations" are those made without PULLIAM'S prior knowledge and consent.
2. Any incidental or consequential damage including, but not limited to, loss of use of the vehicle, towing charges, vehicle rental, loss of time, inconvenience, travel, gasoline, lodging and telephone expenses, loss of revenue and damages on account of personal injury and property damage. (Some states do not allow the exclusion or limitation of incidental or consequential damages, so these limitations may not apply to you).
3. Repairs or replacements of defects in any PullRite towing system, or part thereof, installed on any vehicle which has been rented, leased or used for any commercial purpose.
4. Any representation, warranty of undertaking made by any dealer or third party beyond the scope of the warranty herein expressed.
5. Any problem resulting in normal deterioration due to wear or exposure.

TO THE EXTENT PERMITTED BY LAW, IMPLIED WARRANTIES OF MERCHANTABILITY AND FITNESS FOR A PARTICULAR PURPOSE ARE LIMITED IN DURATION TO FIVE YEARS FROM THE DATE OF INSTALLATION ON THE FIRST OWNER'S VEHICLE. (SOME STATES, HOWEVER, DO NOT ALLOW LIMITATIONS AS TO DURATION OF IMPLIED WARRANTY, SO THOSE LIMITATIONS MAY NOT APPLY TO YOU)



Product Warranty Registration

As an owner of a PullRite product, you must register your product to be considered for warranty coverage. See Owners Manual for further details.

Please note, that you can also register online at www.pullrite.com/warranty.htm.

Name: _____

Address: _____

City: _____ State: _____ Zip: _____

Email Address: _____

Phone (optional): _____

Purchase Price: _____ Date of Purchase: _____

Dealer's Name: _____

Dealer's Address: _____

Dealer's City: _____ Dealer's State: _____ Dealer's Zip: _____

Dealer's Phone: _____

Model Purchased: _____

Vehicle Make: _____ Vehicle Model: _____ Vehicle Year: _____

Vehicle Year: _____ Vehicle Cab Style: _____ Vehicle Bed Length: _____

Did you receive an Owners Manual from the Dealer? Yes / No

What influenced you to buy your hitch? _____

Comments:



MANUFACTURED BY:

PULLIAM ENTERPRISES, INC.
13790 East Jefferson Blvd.
Mishawaka, IN 46545
(574) 259-1520 • (800) 443-2307
info@pullrite.com • www.pullrite.com